



AV RECEIVER

RX-V800/RX-V800RDS/HTR-5280

SERVICE MANUAL

IMPORTANT NOTICE

This manual has been provided for the use of authorized YAMAHA Retailers and their service personnel. It has been assumed that basic service procedures inherent to the industry, and more specifically YAMAHA Products, are already known and understood by the users, and have therefore not been restated.

WARNING: Failure to follow appropriate service and safety procedures when servicing this product may result in personal injury, destruction of expensive components, and failure of the product to perform as specified. For these reasons, we advise all YAMAHA product owners that any service required should be performed by an authorized YAMAHA Retailer or the appointed service representative.

IMPORTANT: The presentation or sale of this manual to any individual or firm does not constitute authorization, certification or recognition of any applicable technical capabilities, or establish a principle-agent relationship of any form.

The data provided is believed to be accurate and applicable to the unit(s) indicated on the cover. The research, engineering, and service departments of YAMAHA are continually striving to improve YAMAHA products. Modifications are, therefore, inevitable and specifications are subject to change without notice or obligation to retrofit. Should any discrepancy appear to exist, please contact the distributor's Service Division.

WARNING: Static discharges can destroy expensive components. Discharge any static electricity your body may have accumulated by grounding yourself to the ground buss in the unit (heavy gauge black wires connect to this buss).

IMPORTANT: Turn the unit OFF during disassembly and part replacement. Recheck all work before you apply power to the unit.

CONTENTS

TO SERVICE PERSONNEL	1	AMP ADJUSTMENT	23
IMPEDANCE SELECTOR	1	DISPLAY DATA	24
SPECIFICATIONS	2	IC DATA	25-31
REMOTE CONTROL TRANSMITTER	3	BLOCK DIAGRAM	32-35
FRONT PANELS	4	PRINTED CIRCUIT BOARD	36-59
REAR PANELS	5-6	PIN CONNECTION DIAGRAM	60-61
INTERNAL VIEW	7	SCHEMATIC DIAGRAM	62-68
DISASSEMBLY PROCEDURES	8	PARTS LIST	69-87
SELF DIAGNOSIS FUNCTION (DIAG)	9-23	REMOTE CONTROL TRANSMITTER	88-89

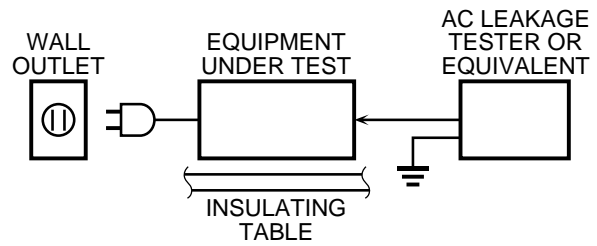


このサービスマニュアルは、エコマーク認定の再生紙を使用しています。
This Service Manual uses recycled paper.



■ TO SERVICE PERSONNEL

1. Critical Components Information
Components having special characteristics are marked ⚠ and must be replaced with parts having specifications equal to those originally installed.
2. Leakage Current Measurement (For 120V Models Only)
When service has been completed, it is imperative to verify that all exposed conductive surfaces are properly insulated from supply circuits.
 - Meter impedance should be equivalent to 1500 ohm shunted by 0.15μF.
 - Leakage current must not exceed 0.5mA.
 - Be sure to test for leakage with the AC plug in both polarities.



WARNING: CHEMICAL CONTENT NOTICE!

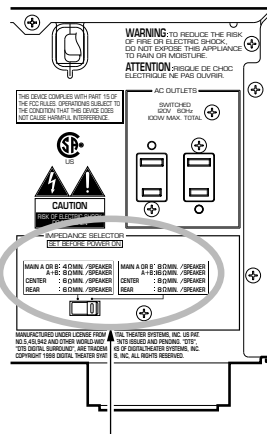
The solder used in the production of this product contains LEAD. In addition, other electrical/electronic and /or plastic (where applicable) components may also contain traces of chemicals found by the California Health and Welfare Agency (and possibly other entities) to cause cancer and/or birth defects or other reproductive harm.

DO NOT PLACE SOLDER, ELECTRICAL/ELECTRONIC OR PLASTIC COMPONENTS IN YOUR MOUTH FOR ANY REASON WHATSOEVER!

Avoid prolonged, unprotected contact between solder and your skin! When soldering, do not inhale solder fumes or expose eyes to solder/flux vapor!

If you come in contact with solder or components located inside the enclosure of this product, wash your hands before handling food.

■ IMPEDANCE SELECTOR



IMPEDANCE SELECTOR

WARNING:
Do not change the IMPEDANCE SELECTOR switch setting while the power to this unit is on, otherwise this unit may be damaged.

■ SPECIFICATIONS

■ Audio Section

Minimum RMS Output Power (Power Amp. Section)

(20 Hz to 20 kHz, 0.04% THD, 8 ohms)

MAIN	100W + 100W
CENTER	100W
REAR	100W + 100W

Maximum Power (EIAJ)

(1 kHz, 10% THD, 8 ohms)

MAIN	140W + 140W
CENTER	140W
REAR	140W + 140W

Dynamic Power Per Channel (IHF)

MAIN L/R (8/6/4/2 ohms)

[U model]	135/170/205/245 W
[C, A, B, G, L, R, T models]	125/160/195/230 W

DIN Standard Output Power Per Channel

(1 kHz, 0.7% THD, 4 ohms)

[G model]	140 W
-----------------	-------

Dynamic Headroom

8 ohms

[U model]	1.3 dB
[C model]	1.0 dB

IEC Power

MAIN L/R (1 kHz, 0.04% THD, 8 ohms)

[G model]	105W + 105W
-----------------	-------------

Damping Factor

MAIN L/R (20 Hz to 20 kHz, 8 ohms) 80 or more

Input Sensitivity / Input Impedance

PHONO MM 2.5 mV / 47 k-ohms
 CD, etc. 150 mV / 47 k-ohms

Maximum Input Signal Level

PHONO MM (1 kHz, 0.1% THD) 100 mV
 CD, etc. (1 kHz, 0.5% THD, Effect On) 2.2 V

Output Level / Output Impedance

REC OUT 150 mV / 0.9 k-ohms
 PRE OUT 2.57 V / 1.2 k-ohms
 SUB WOOFER [MAIN SP: Small] 4 V/1.2 k-ohms

Headphone Jack Rated Output / Impedance

1 kHz, 40 mV, 8 ohms 0.15 V / 100 ohms

Frequency Response

Power Amp only (5 Hz to 100 kHz) 0/-3 dB
 CD, etc. to MAIN SP OUT (10 Hz to 100 kHz) 0/-3 dB

RIAA Equalization Deviation

PHONO MM (20 Hz to 20 kHz) 0 ± 0.5 dB

Total Harmonic Distortion

(20 Hz to 20 kHz)
 PHONO MM, to REC OUT (1V) 0.02% or less
 CD, etc. to MAIN SP OUT (50 W / 8 ohms) 0.04% or less

Signal to Noise Ratio (IHF-A network)

CD, etc. to MAIN SP OUT (Input shorted, Effect Off)
 150 mV 96 dB or more
 200 mV 98 dB or more

Residual Noise (IHF-A network)

MAIN L/R SP OUT 150 µV or less

Channel Separation

(Vol -30 dB, Effect Off)
 PHONO (Input Shorted, 1 kHz) 60 dB or more
 PHONO (Input Shorted, 10 kHz) 55 dB or more
 CD, etc. (Input 5.1 k-ohms terminated, 1 kHz) 60 dB or more
 CD, etc. (Input 5.1 k-ohms terminated, 10 kHz) 45 dB or more

Tone Control Characteristics

Bass: Boost/Cut ±10 dB (50 Hz)
 Turnover Frequency 350 Hz
 Treble: Boost/Cut ±10 dB (20 kHz)
 Turnover Frequency 3.5 kHz

Filter Characteristics

MAIN, Rear SP Small (H.P.F.) 90 Hz, 12 dB/oct.
 SUBWOOFER (L.P.F.) 90 Hz, 18 dB/oct.

Bass Extension

60 Hz 6 dB

■ Video Section

Video Signal Type

[U, C, R, T models] NTSC
 [A, B, G, L, models] PAL

Video Signal Level

..... 1 Vp-p / 75 ohms

S-Video Signal Level

Y 1 Vp-p / 75 ohms
 C 0.286 Vp-p / 75 ohms

Component Video Signal Level

Y 1 Vp-p / 75 ohms
 Cb / Cr 0.7 Vp-p / 75 ohms

Maximum Input Level

..... 1.5 Vp-p

Signal to Noise Ratio

..... 50 dB or more

Monitor Out Frequency Response

S-Video Signal Level 5 Hz to 10 MHz, -3 dB
 Component Signal Level DC to 30 MHz, -3 dB

■ FM Section

Tuning Range

[U, C models] 87.5 to 107.9 MHz
 [R, T, A, B, G, L models] 87.5 to 108.0 MHz

50 dB Quieting Sensitivity (IHF)

(100% Mod)
 Mono 2.0 µV (17.3 dBf)
 Stereo 25 µV (39.2 dBf)

Usable Sensitivity (IHF)

Mono 1.0 µV (11.2 dBf)

Selectivity

at 400 kHz 70 dB

Signal to Noise Ratio (IHF)

Mono / Stereo 76 dB / 70 dB

Harmonic Distortion

(1 kHz)
 Mono/Stereo 0.2 / 0.3 %

Stereo Separation

1 kHz 45 dB

Frequency Response

20 Hz to 15 kHz +0.5 / -2 dB

Antenna Input

..... 75 ohms unbalanced

■ AM Section

Tuning Range

[U, C, R, T models] 530 to 1,710 kHz
 [A, B, G, L models] 531 to 1,611 kHz

Usable Sensitivity

..... 300 µV/m

Antenna

..... Loop Antenna

■ General

Power Supply

[U, C models] AC 120 V, 60 Hz
 [R models] AC 110/120/220/240 V, 50/60 Hz
 [T model] AC 220 V, 50 Hz
 [A model] AC 240 V, 50 Hz
 [B, G, L models] AC 230 V, 50 Hz

Power Consumption

[U model] 260 W
 [C model] 300 W / 360 VA
 [R, T, A, B, G, L models] 300 W

Maximum Power Consumption

(Sch Drive, 10% THD)
 [R model] 585 W

AC Outlets

2 switched outlets
 [U, C, R, T G, L models] 100W max., total
 1 switched outlets
 [A, B models] 100W max.

Dimensions (W x H x D)

..... 435 x 171 x 431.5 mm (17-1/8" x 6-3/4" x 17")

Weight

..... 15.0 kg (33 lbs. 1 oz.)

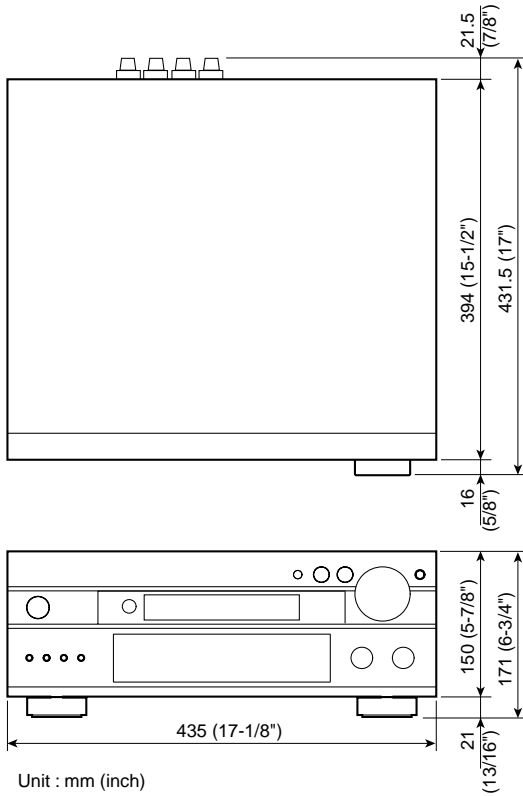
Accessories

Remote control transmitter, Manganese batteries, Indoor FM antenna, AM loop antenna

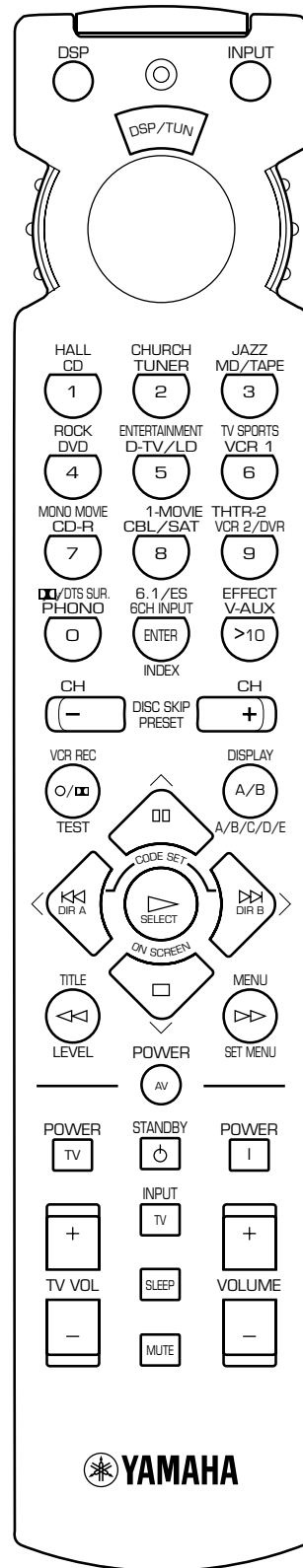
* Specifications are subject to change without notice.

U	U.S.A. model	C	Canadian model
A	Australian model	B	British model
G	European model	L	Singapore model
R	General model	T	China model

• DIMENSIONS



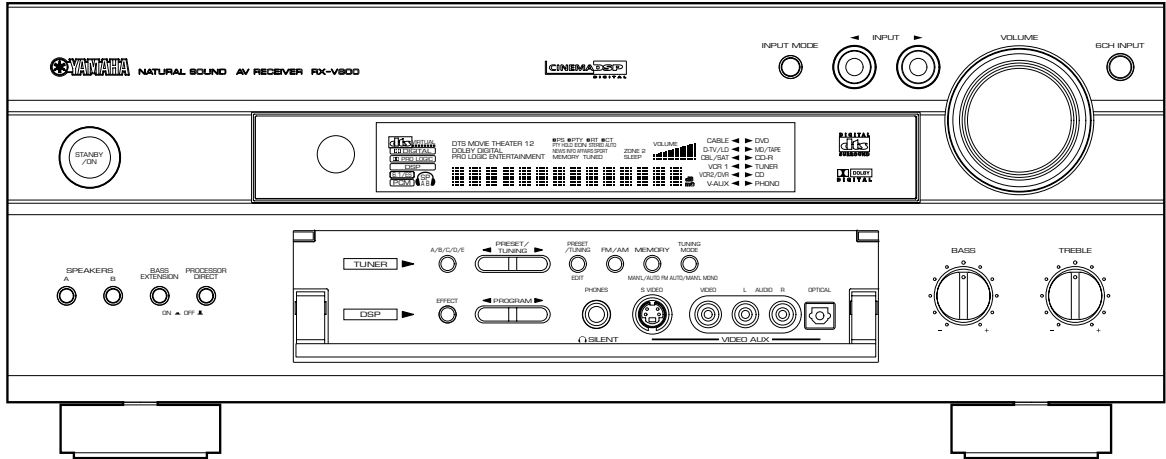
■ REMOTE CONTROL TRANSMITTER



FRONT PANELS

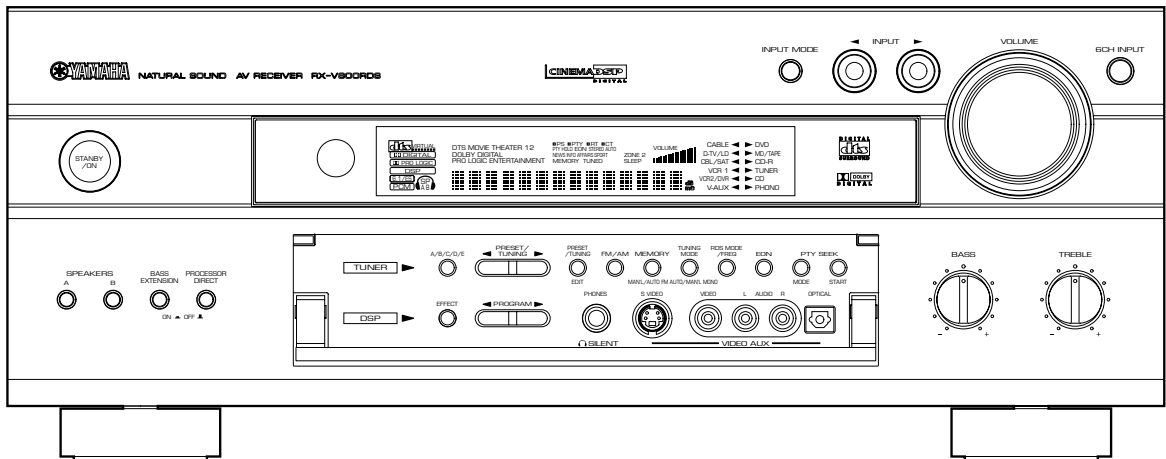
RX-V800 (U, C, A, L, R, T models)

- U, C and A models → BL (Black model)
- L model → GD (Gold model)
- R and T models → BL (Black model) and GD (Gold model)



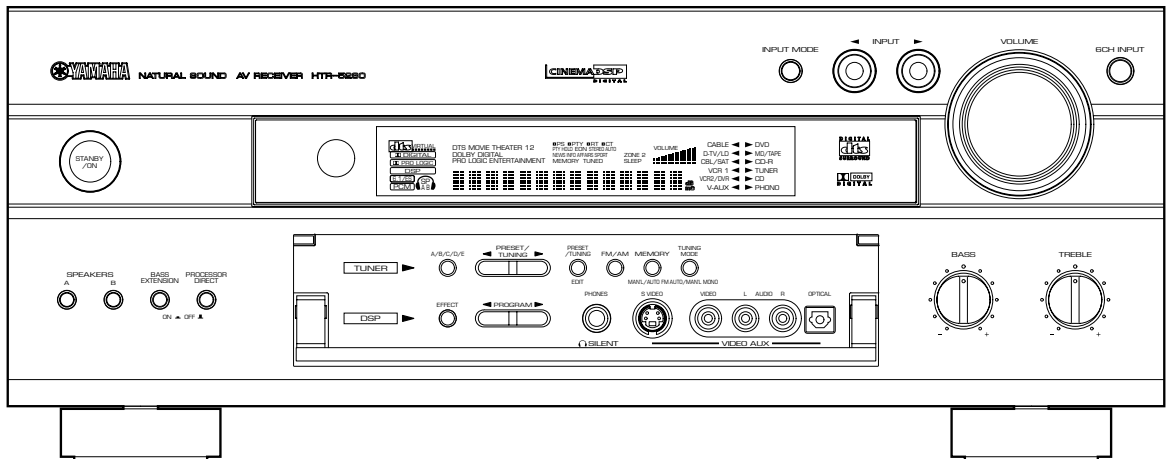
RX-V800RDS (B, G models)

- B model → BL (Black model)
- G model → BL (Black model), GD (Gold model) and TI (Titan model)



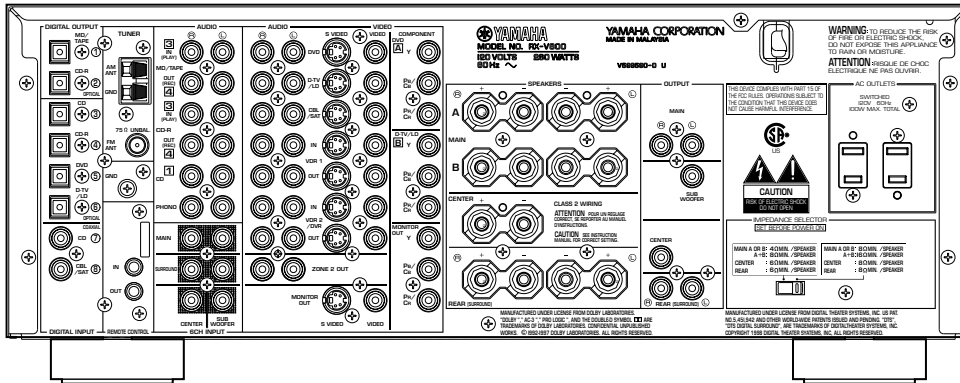
HTR-5280 (U, C, A, T models)

- U, C and A models → BL (Black model)
- T model → GD (Gold model)

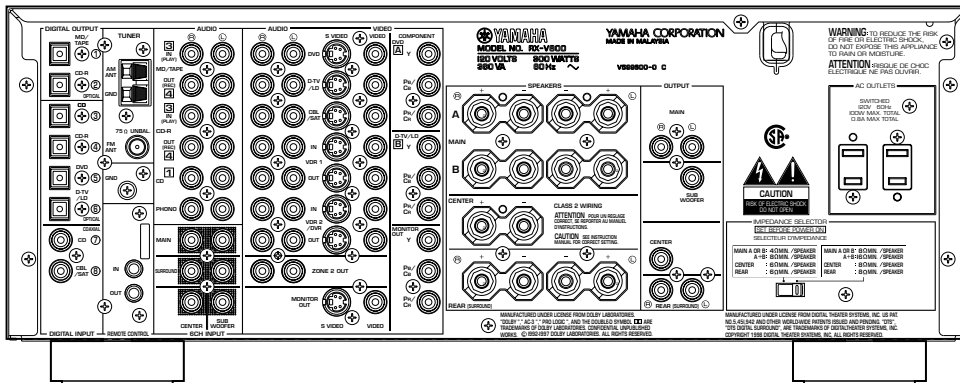


REAR PANELS

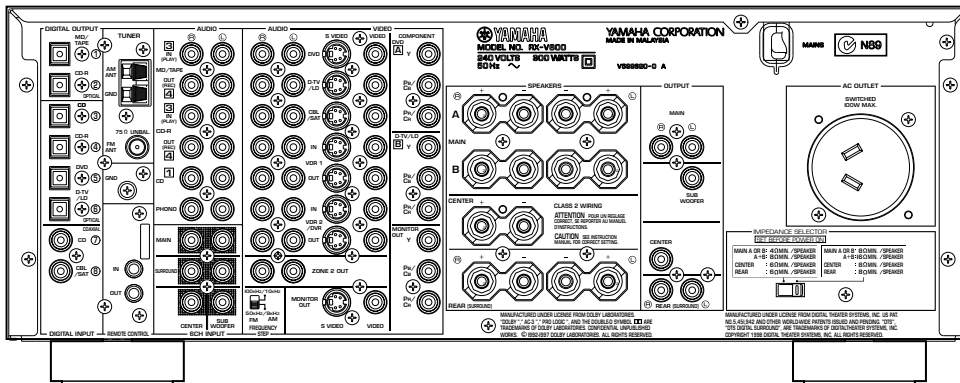
U model



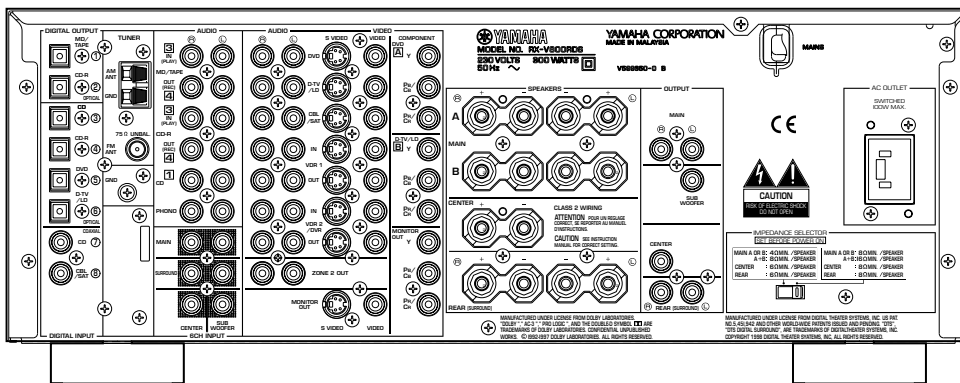
C model



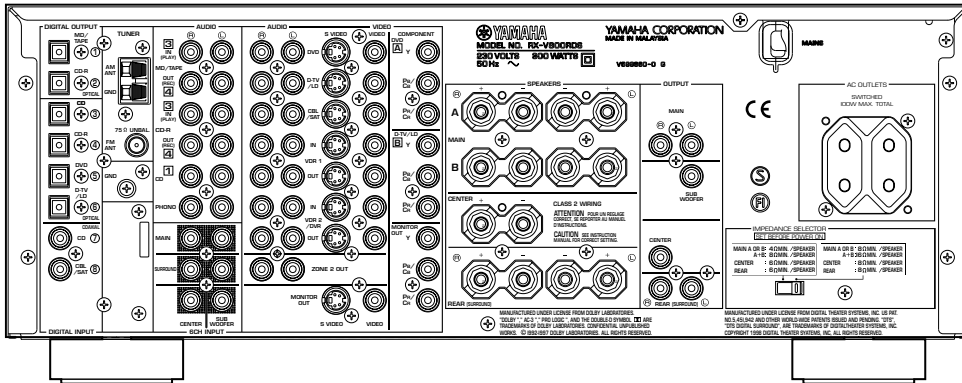
A model



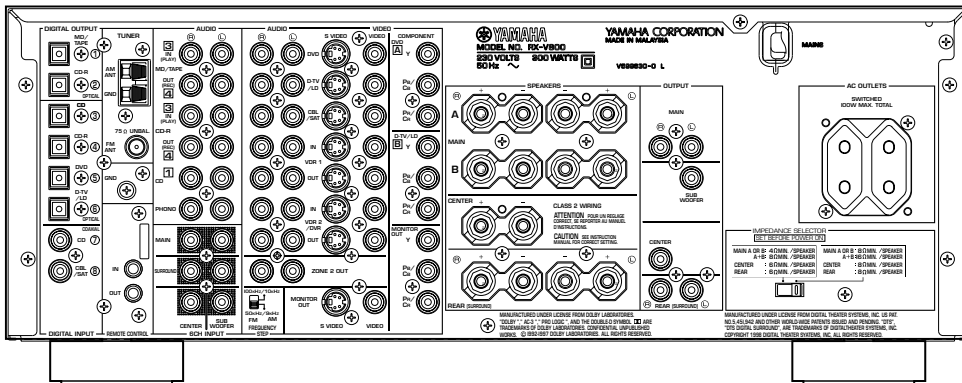
B model



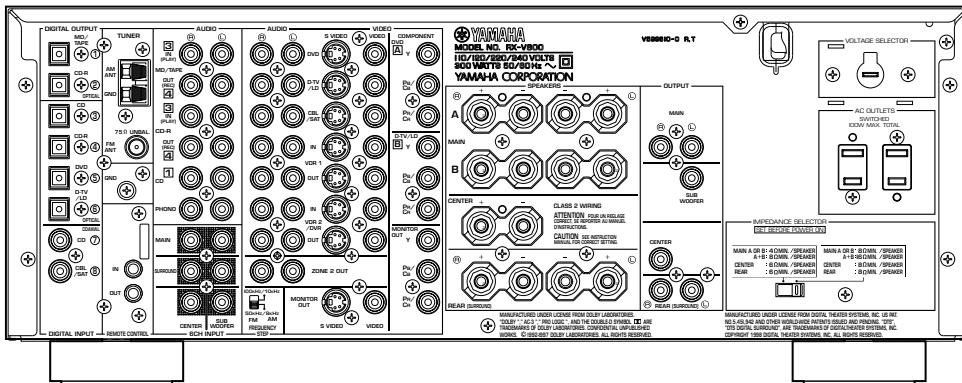
G model



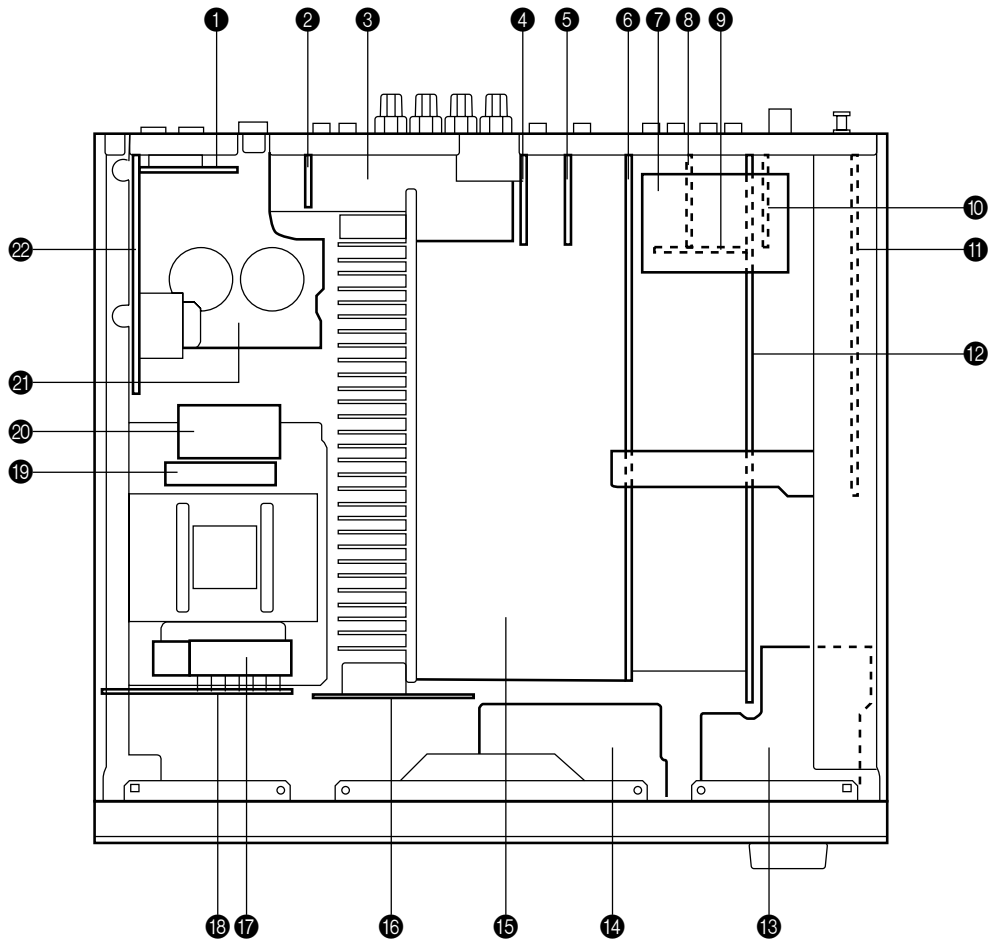
L model



R, T model



■ INTERNAL VIEW



- ① POWER (3) P.C.B.
- ② MAIN (5) P.C.B.
- ③ MAIN (2) P.C.B.
- ④ VIDEO (3) P.C.B.
- ⑤ VIDEO (2) P.C.B.
- ⑥ VIDEO (1) P.C.B.
- ⑦ POWER (7) P.C.B.
- ⑧ POWER (8) P.C.B.
- ⑨ POWER (9) P.C.B.
- ⑩ POWER (10) P.C.B.

- ⑪ DSP P.C.B.
- ⑫ FUNCTION P.C.B.
- ⑬ OPERATION (5) P.C.B.
- ⑭ OPERATION (4) P.C.B.
- ⑮ MAIN (1) P.C.B.
- ⑯ POWER (6) P.C.B.
- ⑰ POWER (5) P.C.B.
- ⑱ POWER (4) P.C.B.
- ⑲ POWER (2) P.C.B.
- ⑳ MAIN (4) P.C.B.

- ㉑ MAIN (3) P.C.B.
- ㉒ POWER (1) P.C.B.

■ DISASSEMBLY PROCEDURES

(Remove parts in the order as numbered.)

Disconnect the power cord from the AC outlet.

1. Removal of Top Cover

- a. Remove 2 screws (①), 4 screws (②) and 5 screws (③) in Fig. 1.
- b. Slide the Top Cover rearward to remove it.

2. Removal of Front Panel

Remove 9 screws (④) in Fig. 1, and the Front Panel can be removed forward.

3. Removal of MAIN PCB (1)

- a. Remove the Top Cover.
- b. Remove 2 screws (⑤) in Fig. 3 AND remove the support metal plate.
- c. Disconnect 3 connectors (CB232, CB601, CB602 in Fig.2) from the VIDEO PCB (1), and disconnect the connector (CB3) from the MAIN PCB (1) in Fig. 2.
- d. Remove 8 screws (⑥) in Fig. 3, and the VIDEO PCB (1) and VIDEO PCB (3) can be removed.
- e. Disconnect the connector (CB353) from the POWER PCB (6) in Fig. 2.
- f. Remove the plastic rivet (⑦), and the POWER PCB (6) can be removed upward from the heat sink.
- g. Disconnect the connector (CB1 in Fig. 2) from the MAIN PCB (1).
- h. Remove 2 screws (⑧) in Fig. 2, and the support Transistor can be removed.
- i. Remove 6 screws (⑨) in Fig. 2.
- j. Remove 6 screws (⑩) in Fig. 3.
- k. Pull out the MAIN PCB (1) forward as shown in Fig. 3. At this time, disconnect the flexible flat cable connected to the MAIN PCB (1) if necessary.

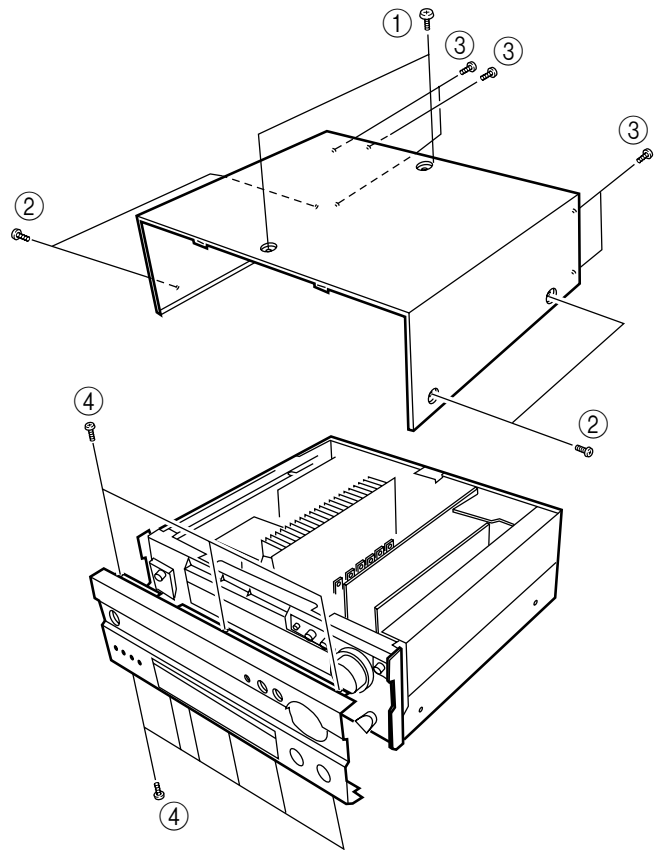


Fig. 1

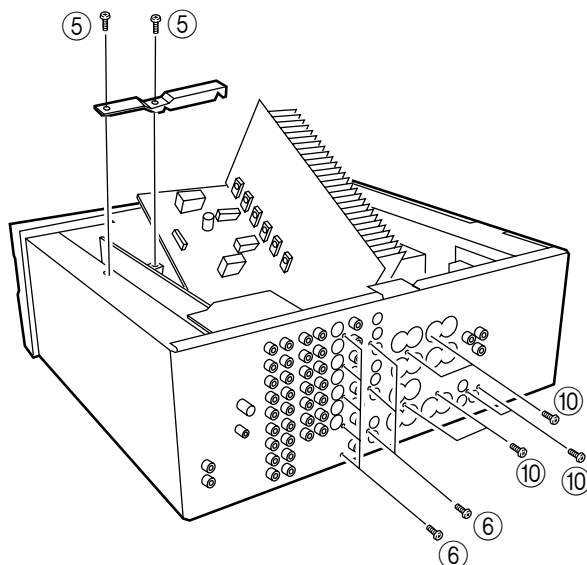


Fig. 3

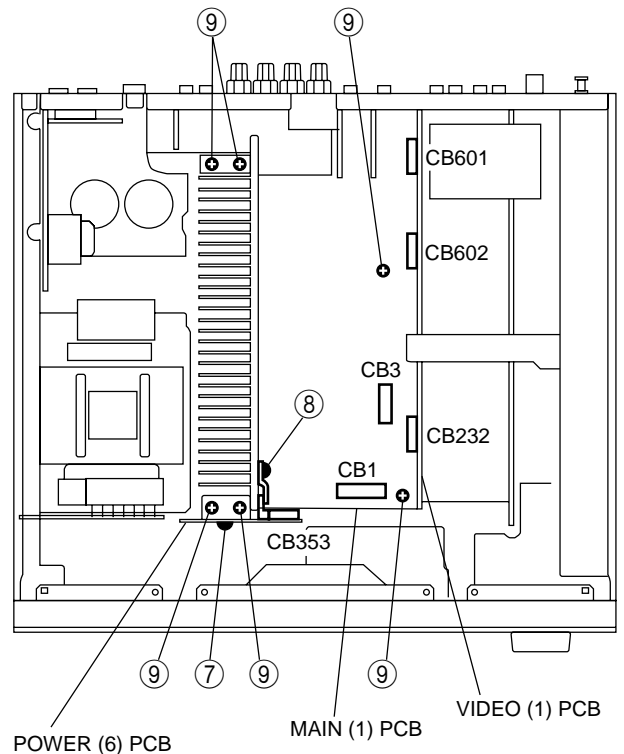


Fig. 2

■ SELF DIAGNOSIS FUNCTION (DIAG)

There are 13 DIAG menu items each of which has sub-menu items. Listed in the table below are menu items and sub-menu items.

No.	DIAG menu	sub-menu	Remote control code (key)
1	DSP THROUGH	1. ANALOG BYPAS (ANALOG BYPASS)	7A-90 (PRG 9)
		2. DSP 0dB	7A-91 (PRG 10)
		3. DSP FULL BIT	7A-92 (PRG 11)
2	HP ROUTE	1. HP 0dB	7A-93 (PRG 12)
		2. HP FULL BIT	7A-10 (PRESET+)
3	RAM THROUGH	1. RAM 0dB	7A-11 (PRESET-)
		2. MAIN ATT	7A-12 (PAGE)
4	PRO LOGIC	1. YSS928	7A-0C (CD FF)
5	SPEAKERS SET	1. MAIN:SML 0dB (MAIN:SMALL 0dB)	7A-88 (PRG 1)
		2. MAIN:LRG -10dB (MAIN:LARGE -10dB)	7A-89 (PRG 2)
		3. CENTER:NONE	7A-8A (PRG 3)
		4. LFE/B:MAIN (LFE/BASS:MAIN)	7A-8B (PRG 4)
		5. Front Mix:5ch	7A-8C (PRG 5)
6	DISPLAY CHECK	1. VFD CHECK (initial screen)	7A-8F (PRG 8)
		2. VFD DISP OFF (All segments OFF)	—
		3. VFD DISP ALL (All segments ON 100%)	—
		4. VFD DIMMER (All segments ON 50%)	—
		5. CHECKED PATTERN (ON in lattice)	—
7	MANUAL TEST	1. ALL	7A-00 (TP PLAY)
		2. MAIN L	7A-01 (TP RW)
		3. CENTER	7A-02 (TP FW)
		4. MAIN R	7A-03 (TP STOP)
		5. REAR R	7A-04 (TP PAUSE)
		6. REAR L	7A-06 (TP A/B)
		7. LFE	7A-09 (CD STOP)
8	RS-232C	1. TxRx DATA (unused)	—
		2. HARD FLOW (unused)	—
9	PRESET	1. PRESET INHIBIT (memory initialization inhibited)	—
		2. PRESET RESERVED (memory initialized)	7A-57 (SLEEP)
10	AD DATA CHECK	1. REC-OUT (unused)	—
		2. K0/K1 (panel key)	—
		3. DC/PS (protection)	7A-0B (CD SKIP-)
11	IF STATUS	1. IST (internal status)	—
		2. CS1 (channel status 1)	—
		3. CS2 (channel status 2)	—
		4. CS3 (channel status 3)	—
		5. CS4 (channel status 4)	—
		6. CS5 (channel status 5)	—
		7. BI1 (BSI-DD 1)	—
		8. BI2 (BSI-DD 2)	—
		9. BI3 (BSI-DD 3)	—
		10. BI4 (BSI-DD 4)	—
		11. BS1 (BSI-DTS 1)	—
		12. BS2 (BSI-DTS 2)	—
		13. BS3 (BSI-DTS 3)	—
		14. BS4 (BSI-DTS 4)	—
		15. YS1 (YSS-928-1)	—
		16. YS2 (YSS-928-2)	—
		17. YS3 (YSS-928-3)	—
12	DSP RAM CHECK	Bus Check	7A-0A (CD SKIP+)
13	VERSION/CHECK SUM/PORT	1. VER. (Version information)	7A-0D (CD REW)
		2. A/P (Checksum ALL/PROG)	—
		3. 2/M (Checksum 232C/MAKER)	—
		4. PORT (Port check)	—

• **Starting DIAG**

Press the “STANDBY/ON key while pressing those two keys indicated in the figure on the right.

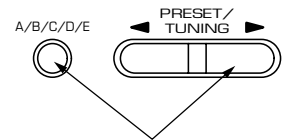
• **Starting DIAG in the protection cancel mode**

If the protection function works and causes hindrance to trouble diagnosis, cancel the protection function as described below, and it will be possible to enter the DIAG mode. (The protection function other than the excess current detect function will be cancelled.)

Press the “STANDBY/ON key while pressing those two keys indicated in the figure on the right. At this time, keep pressing those two keys for 3 seconds or longer.

In this mode, the “ZONE2” segment of the FL display of the main unit flashes to indicate that the mode is DIAG mode with the protection functions cancelled.

Keys of main unit (in sealing panel)



Turn on the power while pressing these keys.

CAUTION!

Note that during the DIAG mode with protection functions cancelled, even when a danger is encountered, protection functions do not work. Therefore, operating the equipment in this mode may cause danger to it. Use special care for this point when using this mode.

• **Canceling DIAG**

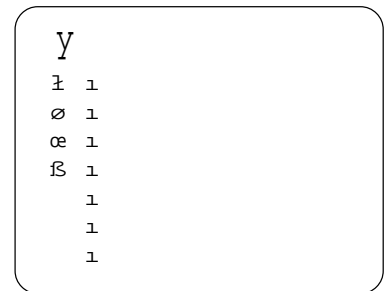
[1] Before canceling DIAG, execute setting for PRESET of DIAG menu No.9 (Memory initialization inhibited or Memory initialized).

* In order to keep the user memory stored, be sure to select PRESET INHI (Memory initialization inhibited).

[2] Turn off the power by pressing the “STANDBY/ON” key of the main unit or the “STANDBY” key of the remote controller.

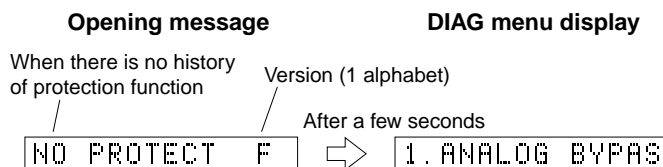
• **Display provided when DIAG started**

When the monitor is connected, DIAGNOSTIC MENU appears on its screen as shown in the figure. (It remains on display until DIAG is cancelled.)

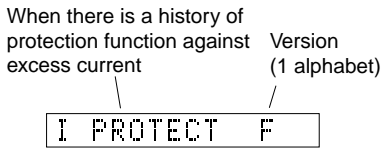


The FL display of the main unit displays the protection function history data and the version (1 alphabet) and the DIAG menu (sub-menu (ANALOG BYPASS) of DIAG menu No.1 DSP THROUGH) a few seconds later.

When there is no history of protection function:

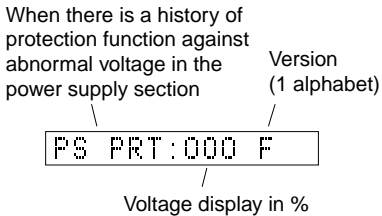


When there is a history of protection function:



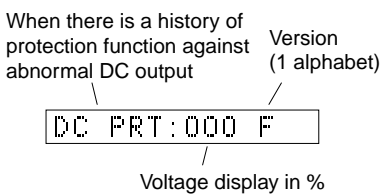
Cause: An excessive current flowed to the power amplifier.
Supplementary information: As current of the power transistor is detected, the abnormal channel can be identified by checking the current detect transistor.

Turning on the power without correcting the abnormality will cause the protection function to work immediately and the power supply will soon be shut off.



Cause: The voltage in the power supply section is abnormal.
Supplementary information: The abnormal voltage is displayed in % based on 5V as 100%.

Turning on the power without correcting the abnormality will cause the protection function to work 1 second later and the power supply will be shut off.



Cause: DC output of the power amplifier is abnormal.
Supplementary information: The abnormal voltage is displayed in % based on 5V as 100%.

Turning on the power without correcting the abnormality will cause the protection function to work 3 seconds later and the power supply will be shut off.

- * Besides above possible causes for abnormality, a cause may lie in disconnected connector, around CPU, etc.
- * For the protection voltage value, refer to DIAG menu No.10 described later.

• History of protection function
 When the protection function has worked, its history is stored in memory with a backup. Even if no abnormality is noted while servicing the unit, an abnormality which has occurred previously can be defined as long as the backup data has been stored.
 The history of the protection function is cleared when DIAG is cancelled by selecting RESERVED (Memory initialized) of DIAG menu No.9 or when the backup data is erased.

• Display during menu operation

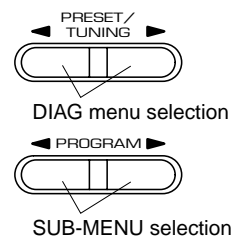
During the DIAG operation, the menu list described in the section of the startup screen appears on the superimposed screen and the function at work is indicated on the FL indicator. The contents displayed during the function operation are described in the later section on details of functions.

• Operation procedure of DIAG menu and SUB-MENU

There are No.1 to No.13 MENU items, each of which has some SUB-MENU items.

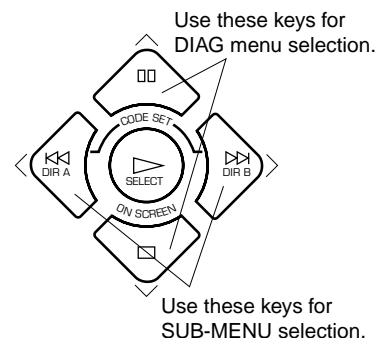
DIAG menu selection

Main unit: Select the menu using ◀ (Forward) and ▶ (Reverse) keys of PRESET/TUNIG located in the sealing panel.
 Remote control unit: Select the menu using ▲ (Forward) and ▼ (Reverse)keys.



SUB-MENU selection

Main unit: Select the sub-menu using ◀ (Forward) and ▶ (Reverse) keys of PROGRAM located in the sealing panel.
 Remote control unit: Select the sub-menu using ◀ (Forward) and ▶ (Reverse)keys.



- * Only the remote control keys indicated in the MENU List can be used to select a sub-menu directly.

• Functions in DIAG mode

In addition to the DIAG menu items, functions as listed below are available.

- Input selection, 6CH input
- REC OUT (ZONE2) switching
- Center/Rear/Sub-woofer level adjustment
- Muting
- Speaker relay A/B
- Power on/off
- Master volume

It is possible to set to the following volume values directly by transmitting remote control codes during the DIAG operation only.

Volume value (dB)	Remove control code	Remote control key
0	7A-E0	PAGE A
-20	7A-E1	PAGE B
-30	7A-E2	PAGE C
MUTE	7A-E3	PAGE D

- * Functions related to the tuner and the set menu are not available.
- * It is possible to confirm Menu No.11 IF STATUS while keeping the signal process (operation status) of each DIAG menu by using the input mode key of the main unit.

• Initial settings used to start DIAG

Following initial settings are used when starting DIAG.

When DIAG is canceled, these settings are restored to those before starting DIAG.

- Master volume: -40dB
- Input, ZONE2 input: DVD (6CH INPUT OFF)
- Center/Rear/Sub-woofer level: 0dB
- Audio mute: OFF
- Speaker relay A/B: ON
- Speaker setting: LARGE / BASS OUT = BOTH
- DIAG menu: DSP through (analog bypass)

• Details of DIAG menu

1. DSP THROUGH

There are 3 sub-menu items (ANALOG BYPAS, DSP 0dB, DSP FULL BIT).

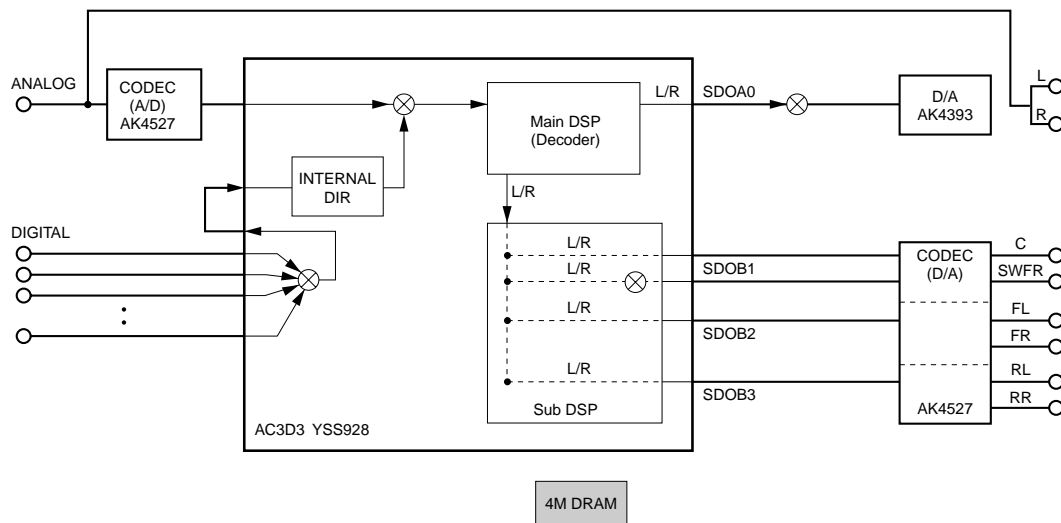
1. ANALOG BYPAS

ANALOG BYPASS [Remote control code: 7A-90 (PRG9)]

- The input mode is fixed to use the analog (A/D) system.
- The L/R signal is output through the analog bypass without using the DSP block.
- C/SWF, FL/FR, RL/RR signals are output through DSP (see the signal path in the figure below) without using the external DRAM. (Head margin included)

Head margin:

Center: -6dBFS, Rear Center: -3dBFS, FL/FR: -6dBFS, RL/RR: -12dBFS, SWFR: Add L/R signal at -20dBFS.



SDOxx represents a terminal name of AC3D3.

The shaded square () means that the element indicated in it does not operate.

DSP 0dB [Remote control code: 7A-91 (PRG 10)]

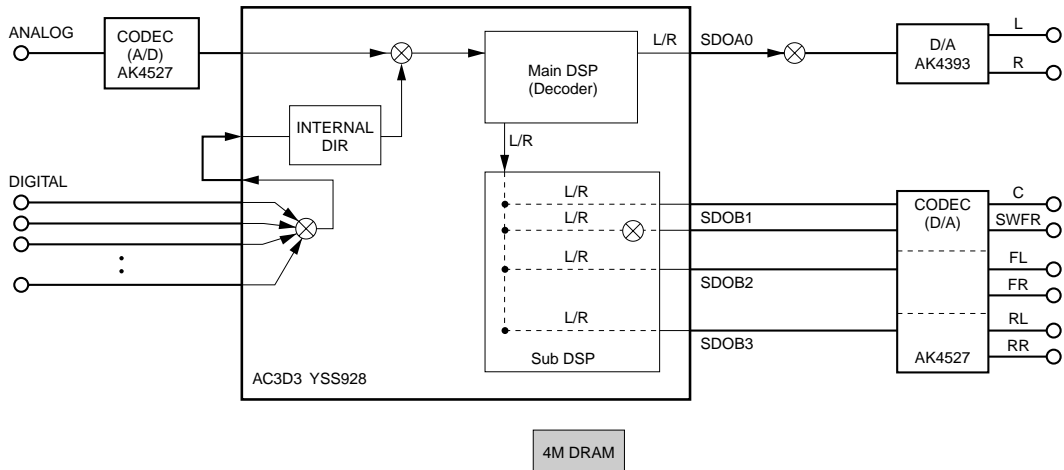
1. DSP 0dB

- C/SWFR, FL/FR, RL/RR signals are output through DSP (see the signal path in the figure below) without using the external DRAM. (Head margin included)

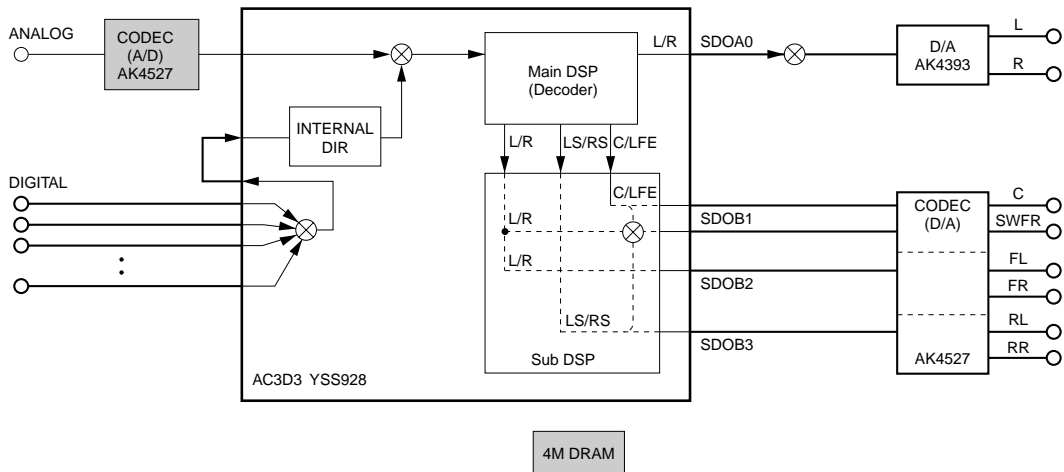
Head margin:

Main L/R: 0dBFS, Center: -6dBFS, Rear Center: -3dBFS, FL/FR: -6dBFS, RL/RR: -12dBFS, SWFR: Add L/R signal at -20dBFS.


[2ch source]



[Multi ch source]



SDOxx represents a terminal name of AC3D3.

The shaded square () means that the element indicated in it does not operate.

DSP FULL BIT [Remote control code: 7A-92 (PRG 11)]

1. DSP FULL BIT

- The signal is output in digital full bit without including the head margin.
- The same applies as “DSP 0dB” except that the digital data is output in full bit at D/A.
- However, the SWFR signal is not output in full bit.

2. HP ROUTE

There are 2 sub-menu items (HP 0dB and HP FULL BIT).

2. HP 0dB

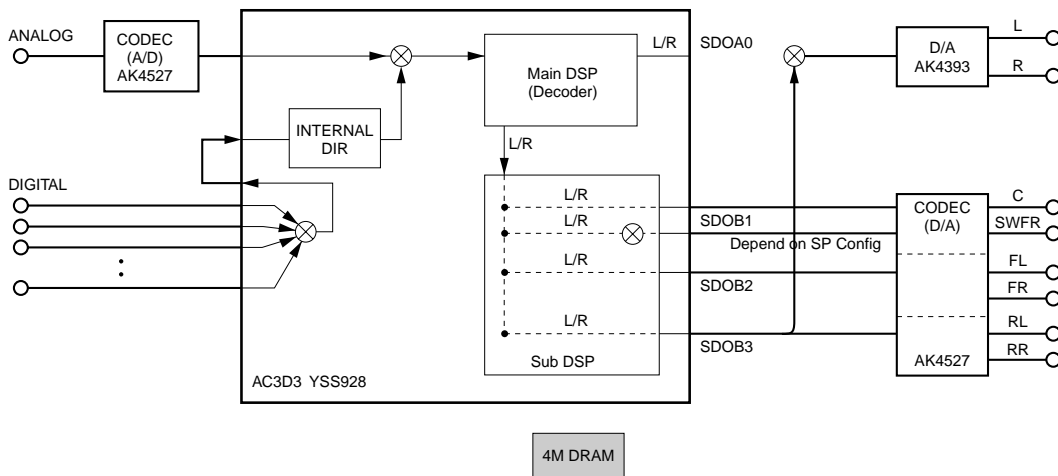
HP 0dB [REMOTE CONTROL CODE: 7A-93 (PRG 12)]

- L/R, C/SWFR, FL/FR, RL/RR signals are output through DSP (see the signal path in the figure below) without using the external DRAM. (Head margin included)
- SDOB3 output is input to Main L/R DAC. Other than that, everything is the same as DSP THROUGH.

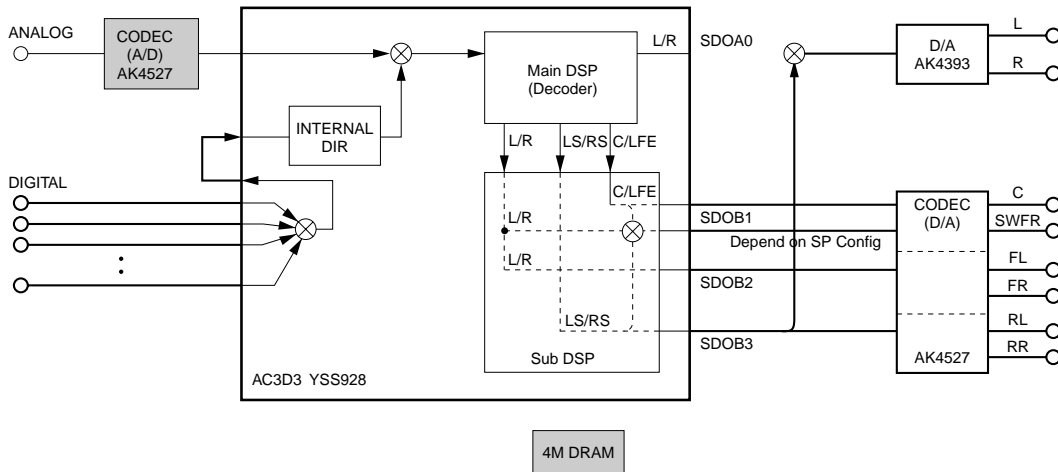
Head margin:

Main L/R: -18dBFS, Center: -6dBFS, Rear Center: -3dBFS, FL/FR: -6dBFS, RL/RR: -18dBFS, SWFR: Add L/R signal at -20dBFS.

[2ch source]



[Multi ch source]



SDOxx represents a terminal name of AC3D3.

The shaded square () means that the element indicated in it does not operate.

2. HP FULL BIT

HP FULL BIT [Remote control code: 7A-10 (PRESET+)]

- The signal is output in digital full bit without including the head margin.
- The same applies as "HP 0dB" except that the digital data is output in full bit at D/A.
- However, the SWFR signal is not output in full bit.

3. RAM THROUGH

The main L/R uses the analog through method when analog signals are input and the DSP through method when digital signals are input.

The Center, FL/FR and RL/RR signals are output through the external DRAM.

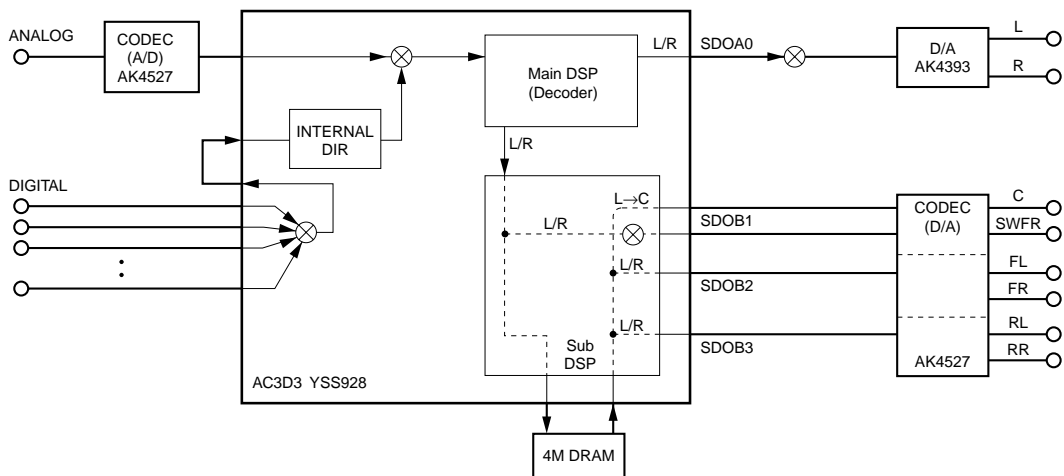
3. RAM 0dB

RAM 0dB [REMOTE CONTROL CODE: 7A-11 (PRESET-)]

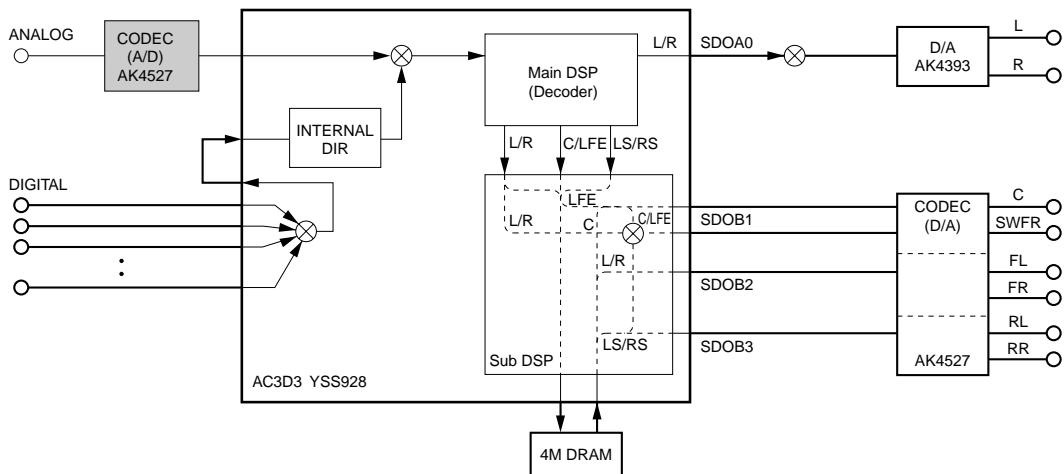
3. MAIN ATT

MAIN ATT [REMOTE CONTROL CODE: 7A-12 (PAGE)]


[2ch source]



[Multi ch source]



SDOxx represents a terminal name of AC3D3.

The shaded square () means that the element indicated in it does not operate.

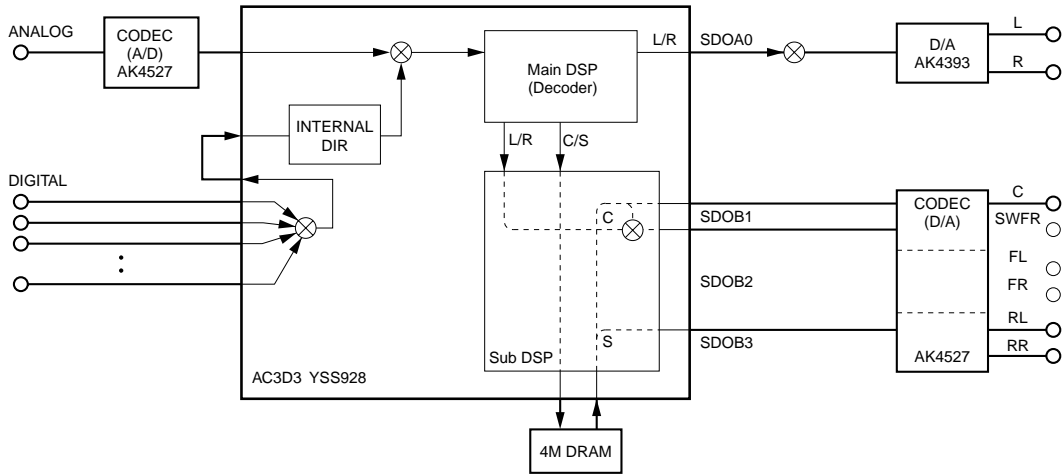
4. PRO LOGIC [YSS928]

Operation conforming to the ordinary Dolby Normal sound field is provided.

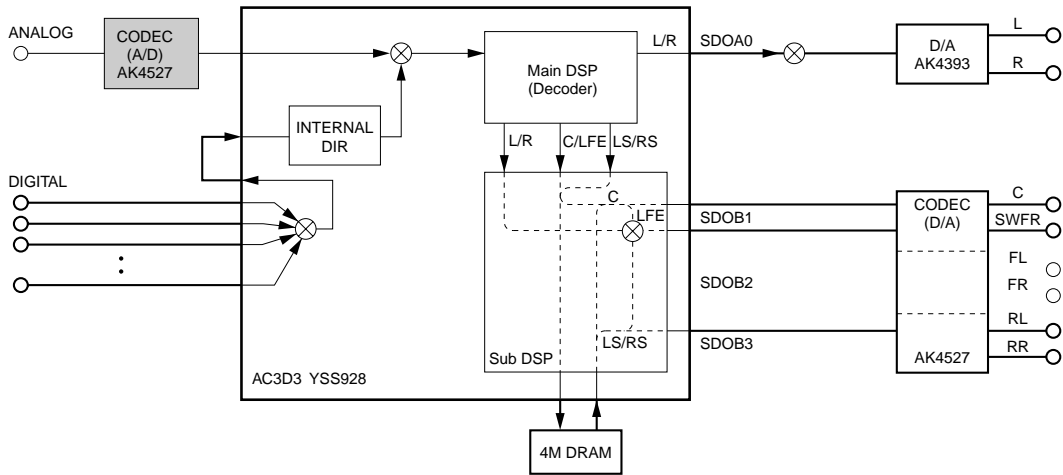
[REMOTE CONTROL CODE: 7A-0C (CD FF)]

4. PRO LOGIC


[2ch source] Same as ordinary Pro Logic except that the auto input balance function is off.



[Dolby D./dts Normal]



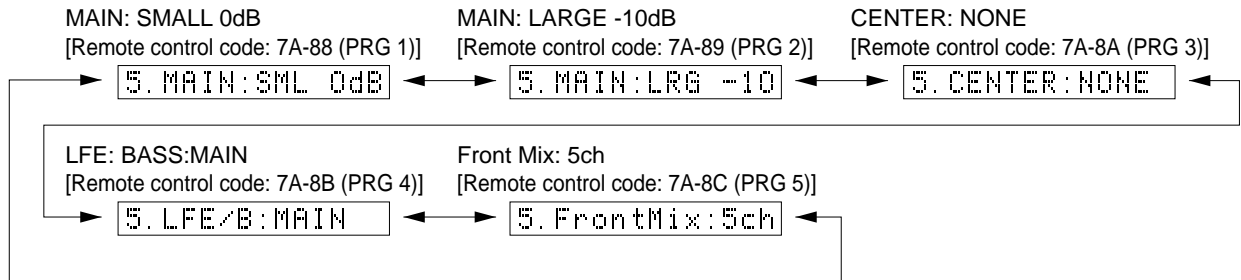
SDOxx represents a terminal name of AC3D3.

The shaded square () means that the element indicated in it does not operate.

5. SPEAKERS SET

The input signal is automatically identified in the order of dts → DOLBY DIGITAL → PCM → Analog.

There are five sub-menu items as follows. The signals output from the DSP block are the same as 1. DSP THROUGH: DSP 0dB.



The analog switch settings for each sub-menu are as shown in the table below.

	Sub-menu	CENTER SP	REAR SP	MAIN SP	MAIN LVL	LFE/BASS
1	MAIN:SMALL 0dB	LARGE	LARGE	SMALL	0dB	SWFR
2	MAIN:LARGE -10	LARGE	LARGE	LARGE	-10dB	BOTH
3	CENTER:NONE	NONE	LARGE	LARGE	0dB	BOTH
4	LFE/BASS:MAIN	SMALL	SMALL	LARGE	0dB	MAIN
5	FRONT MIX:5CH	LARGE	LARGE	LARGE	0dB	BOTH

LARGE: Signals are output in all bandwidths.

SMALL: Signals lower than 90Hz are mixed in the channel specified by LFE/BASS.

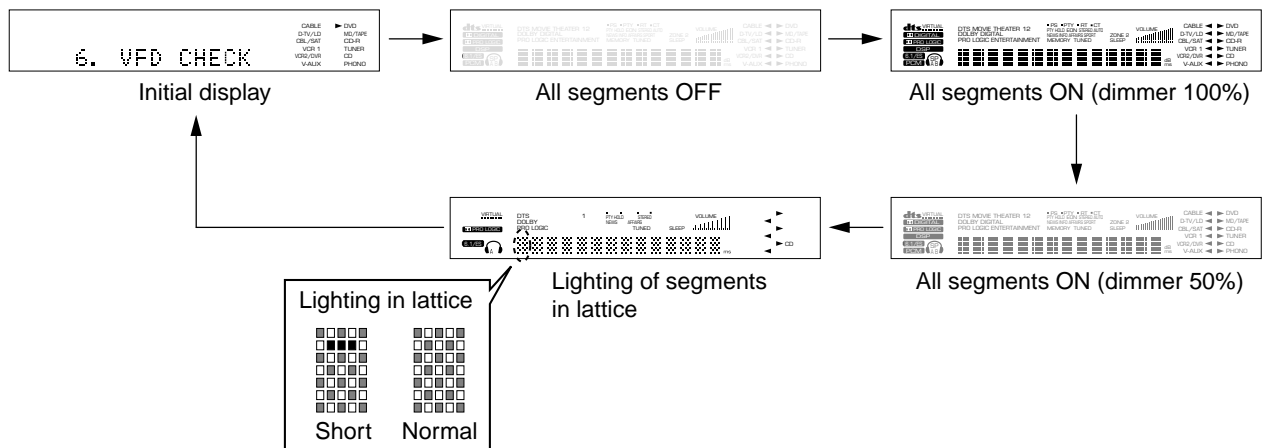
NONE: The center contents are distributed to the MAIN L/R channels after -3dB.

6. DISPLAY CHECK

This program is used to check the FL display section. The display condition varies as shown below according to the sub-menu operation. The signals are processed using EFFECT OFF (The L/R signal is output using ANALOG MAIN BYPASS.) The video signal internal/external synchronization switching is controlled by the microprocessor. When the initial message is displayed and all the FL segments light up, it is switched to the internal synchronization but other than that it is forced to the external synchronization setting.

Also, except for the initial display, 128 pictographs for checking the OSD driver are used for the video signal output display.

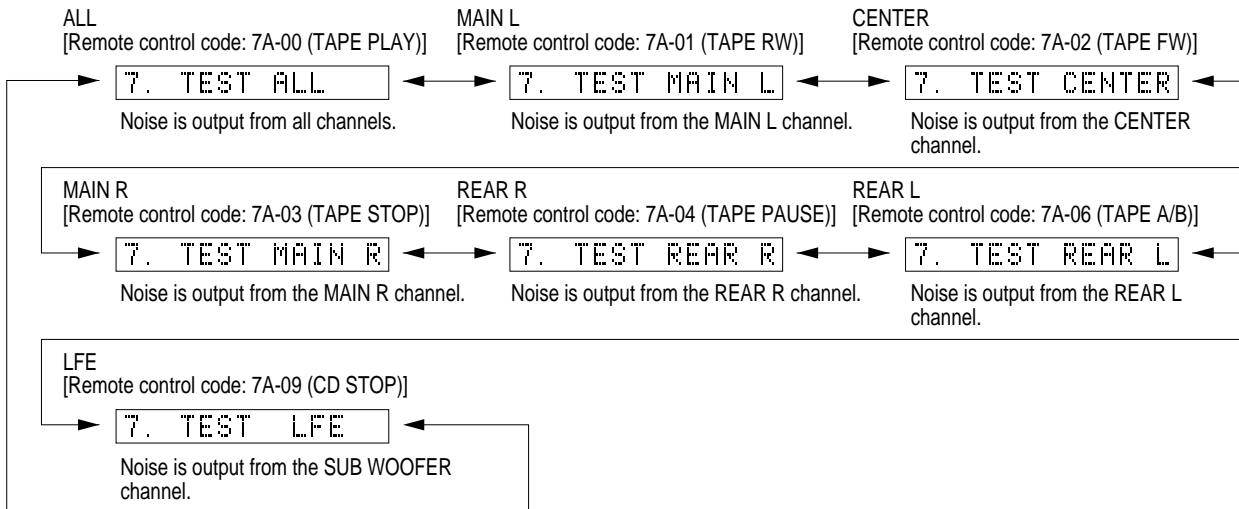
[Remote control code: 7A-8F (PRG 8)]



Segment conditions of the FL driver and the FL tube are checked by turning ON and OFF all segments. Next, the operation of the FL driver is checked by using the dimmer control. Then a short between segments next to each other is checked by turning ON and OFF all segments alternately (in lattice). (In the above example, the segments in the second row from the top are shorted.)

7. MANUAL TEST

The noise generator with a built-in DSP outputs the test noise through the channels specified by the sub-menu. The noise frequency for LFE is 35 to 250 Hz. Other than that, the center frequency is 800Hz.

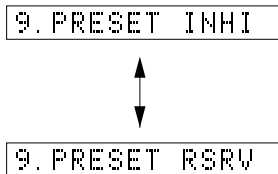


8. RS-232C

RX-V800 does not use this menu.

9. PRESET

This menu is used to reserve and inhibit initialization of the back-up RAM. The signals are processed using EFFECT OFF. (The L/R signal is output using ANALOG MAIN BYPASS.)



PRESET INHIBIT (Initialization inhibited) [REMOTE CONTROL CODE: -]
RAM initialization is not executed. Select this sub-menu to protect the values set by the user.

PRESET RESERVED (Initialization reserved) [REMOTE CONTROL CODE: 7A-57 (SLEEP)]
Initialization of the back-up RAM is reserved. (Actually, initialization is executed next time when the power is turned on.) Select this sub-menu to reset when shipped out of the factory or to reset RAM.

10. AD DATA CHECK

This menu is used to display the A/D conversion value of the main CPU which detects panel keys of the main unit and protection functions in % using the sub-menu. (Reference voltage 5V as 100%) During signal processing, the condition before execution is maintained.

When in K0/K1 page, it is not possible to operate the keys of the main unit because the values of all keys are detected. But one click on the volume encoder of the main unit to the right or left will cancel this function and sets to the next sub-menu.

Note, however, that clicking there more than once would change the DIAG menu. In such a case, return to the DIAG menu which has been used for measurement. During signal processing, the condition before execution of this menu is maintained.

REC-OUT:085

REC OUT [Remote control code: -]
RX-V800 does not use this sub-menu.

K0:100 K1:100

K0/K1 (Panel key of main unit) [Remote control code: -]
A/D of the key fails to function properly when the standard value is deviated by ±4%. In this case, check the constant of partial pressure resistor, solder condition, etc.

[Table 1]

Display	K0	K1
0	PRESET ►	6CH INPUT
10	PRESET ◀	INPUT ►
20	PRESET/TUNING	INPUT ◀
30	FM/AM	INPUT MODE
40	MEMORY	SPEAKERS A
50	TUNING MODE	SPEAKERS B
60	RDS MODE	EFFECT
70	RDS EON	PROGRAM ►
80	PTY MODE	PROGRAM ◀
90	PTY START	A/B/C/D/E
100	KEY OFF	KEY OFF

DC:007 PS:025

DC/PS (Protection) [REMOTE CONTROL CODE: 7A-0B (CD SKIP-)]

DC: DC detect protection value (Normal value: 1 to 13)

PS: Power voltage protection value (Normal value: 18 to 32)

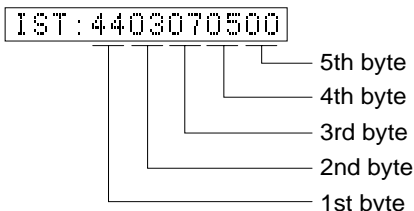
* If DC or PS is out of the normal value range, the protection function works to turn off the power.

11. IF STATUS

Using the sub-menu, the status data is displayed one after another in the hexadecimal notation. During signal processing, the status before execution of this menu is maintained.

* Numeric values in the figure example are for reference.

IST (Internal status) [REMOTE CONTROL CODE: -]
Indicates the status information of the microprocessor.



<1st byte> Digital input/output setting value
Upper 4 bits: REC OUT selected/lower 4 bits: INPUT selected

Numeric value	Selection	Numeric value	Selection	Numeric value	Selection	Numeric value	Selection
0	NONE	4	OPT3	8	COAX1	C	COAX3
1	FRONT	5	OPT4	9	COAX2	D	RF
2	OPT1	6	OPT5	A	COAX4		
3	OPT2	7	OPT6	B	COAX5		

<2nd byte> Fs information of reproduction signal

Display	00	01	02	03	04	05	06	07	08	09
Fs (kHz)	Analog	32	44.1	48	64	88.2	96	Unknown NRM	Unknown DBL	Not defined

<3rd byte> Audio code mode information of reproduction signal

Display	00	01	02	03	04	05	06	07	08	09	0A	0B
Audio Code	1+1	1/0	2/0	3/0	2/1	3/1	2/2	3/2	2/3	3/3	dts7.1	Not defined

<4th byte> Format information of reproduction signal
*1: Analog processing is used as digital reproduction is not possible because of a commercial bit or 4-ch audio reason.

Display	Signal format
00	Analog (Unlock)
01	Incorrect digital (*1)
02	Digital Data
03	IEC1937 Data
04	PCM Audio
05	Dolby Digital
06	D.D.Karaoke
07	D.D.EX
08	RED dts
09	ORANGE dts
0A	dts ES
0B	NONE PCM

<5th byte> Signal processing status information
*2: With digital signals other than 32kHz, 44.1kHz and 48kHz, through processing method is used for reproducible signals.

bit7	MUTE request	bit3	-
bit6	Red dts flashing	bit2	Through & bypass (*2)
bit5	6.1ch. sound field being processed	bit1	-
bit4	FULL MUTE (ON: 1)	bit0	dts analog mute

CS1-5 [Remote control code: -]: Indicates channel status information of the input signal (IEC60958).

CS1:0299000200 - - - - - CS5:00000000

BI1-4 [Remote control code: -]: Indicates information of the bit stream included in the DOLBY DIGITAL signal.

BI1:1040E1301B - - - - - BI4:F500F800

BS1-4 [Remote control code: -]: Indicates information of the bit stream included in the dts signal.

BS1:FFFFFFFF - - - - - BS4:FFFFFFFF

YS1-3 [Remote control code: -] Indicates device status information of YSS928 (IC501). * The numeric value in the figure is an example for reference.

YS1:FE0218070F

Byte No.	Function
1	YSS MUTE Reg
2	YSS MODE Reg
3	YSS IPORT BIT 7-0
4	YSS IPORT BIT 14-8
5	YSS OPORT

YS2:0101418000

Byte No.	Function
1	IEC 1937 Preamble Pc
2	AC-3 Data Stream No
3	AC-3D Decode Status
4	YSS ZERO Reg
5	MIREG

YS3:1A41803D

Byte No.	Function
1	DIR Status
2	DIR fs
3	DIR fs count
4	YSS ZEROBF

12. DSP RAM CHECK

This menu is used to self-diagnose whether or not bus connection of YSS928 (IC501) and the external RAM (IC502) is made properly.

During signal processing, the status before execution of this menu is maintained.

Bus Check:NoEr

Bus Check [Remote control code: 7A-0A (CD SKIP+)]

The address bus and the data bus are checked and the connection condition is displayed.

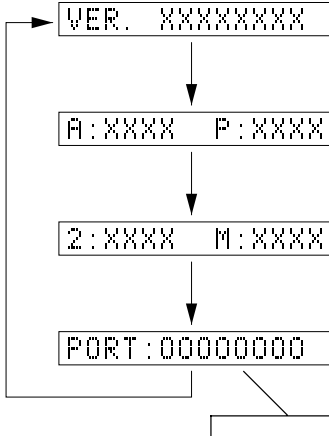
When no error is detected, "NoEr" appears on display.

Display	Description
WAIT	Bus being checked.
NoEr	No error detected.
DATA	Data bus shorted or open.
ADDR	Address bus shorted or open.

13. MICROPROCESSOR INFORMATION

There are 4 sub-menu display.

The version, checksum and the port specified by the microprocessor are displayed. The signal is processed using EFFECT OFF. The checksum is obtained by adding the data at every 16 bits for each program area and expressing the result as a 4-figure hexadecimal data.



Version [Remote control code: 7A-0D (CD REW)]

Release 1 figure / Main 2 figures / DSP 2 figures / Communication 1 figure / Boot manufacturer 1 figure / Boot 232c 1 figure

Checksum [Remote control code: -]

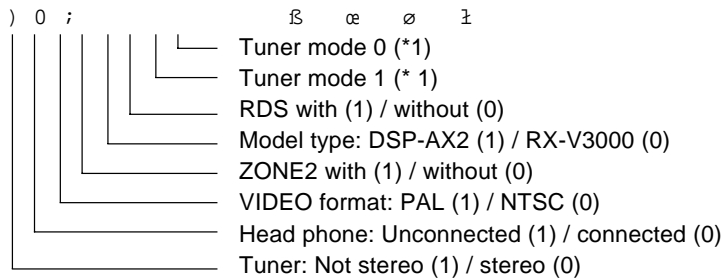
A : All P : Program area

Checksum [Remote control code: -]

2 : Boot 232C M : Boot manufacturer

Check of port setting for judging microprocessor function [Remote control code: -]

code: -]



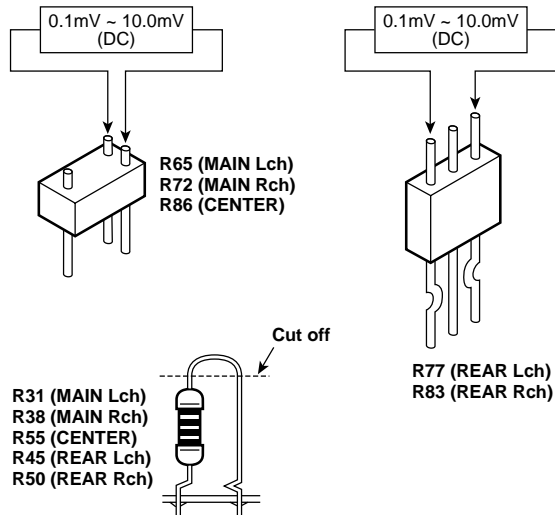
*1

Tuner mode 0	Tuner mode 1	Tuner frequency
0	0	AM: 531-1611kHz/9kHz FM: 76.0-90.0MHz/100kHz
0	1	AM: 531-1611kHz/9kHz FM: 87.5-108.0MHz/50kHz
1	0	AM: 530-1710kHz/10kHz FM: 87.5-107.9MHz/200kHz
1	1	R destination, Port6: LOW AM: 530-1710kHz/10kHz FM: 87.5-108.0MHz/100kHz HIGH AM: 531-1611kHz/9kHz FM: 87.5-108.0MHz/50kHz

AMP ADJUSTMENT

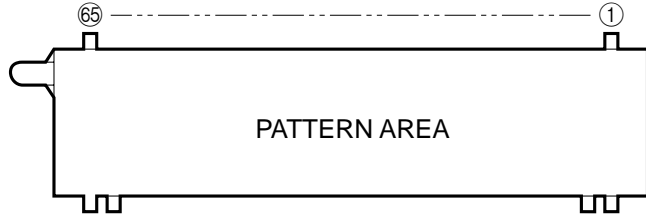
Confirmation of Idling Current of Main (1) P. C. B.

- Right after power is turned on, confirm that the voltage across the terminals of R65 (Main Lch), R72 (Main Rch), R86 (Center), R77 (Rear Lch), R83 (Rear Rch) are between 0.1mV and 10.0mV.
- If it exceeds 10.0mV, open (cutoff) R3 (Main Lch), R38 (Main Rch), R55 (Center), R45 (Rear Lch), R50 (Rear Rch) and reconfirm the voltage.
- Confirm that the voltage is 0.20mV ~ 15.0mV after 60 minutes.



■ DISPLAY DATA

● V901 : 16-BT-81GK (V5917600)



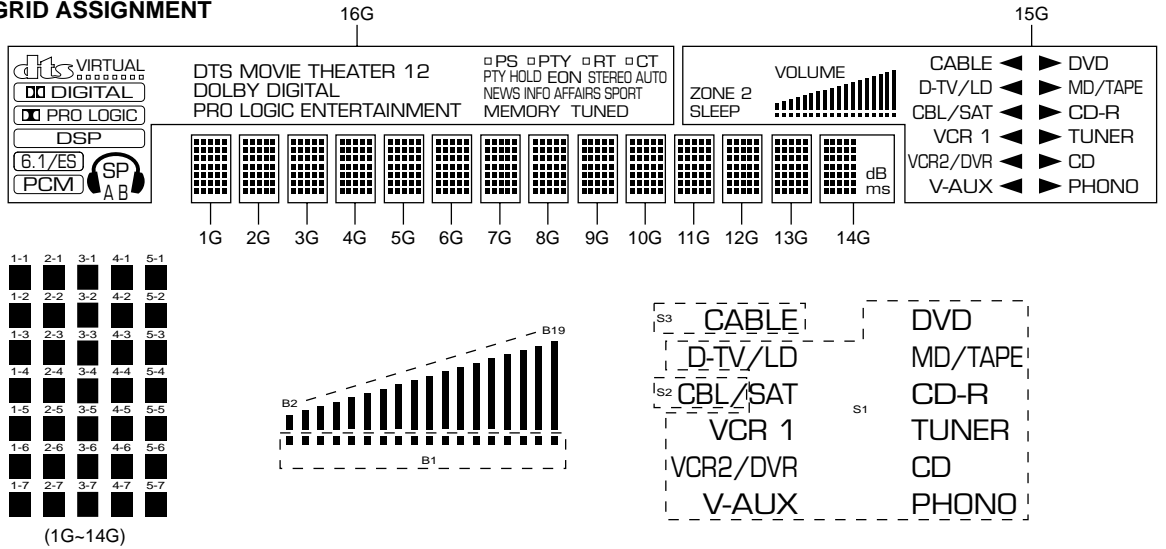
● PIN CONNECTION

Pin No.	65	64	63	62	61	60	59	58	57	56	55	54	53	52	51	50	49	48	47	46	45	44	43	42	41	40	39	38	37	36	35	34	33
Connection	F2	F2	NP	P37	P36	P35	P34	P33	P32	IC	NP	Fd	Fd	NP	IC	P31	P30	P29	P28	P27	P26	P25	P24	P23	P22	P21	P20	P19	P18	P17	P16	P15	P14

Pin No.	32	31	30	29	28	27	26	25	24	23	22	21	20	19	18	17	16	15	14	13	12	11	10	9	8	7	6	5	4	3	2	1
Connection	P13	P12	P11	P10	P9	P8	P7	P6	P5	P4	P3	P2	P1	16G	15G	14G	13G	12G	11G	10G	9G	8G	7G	6G	5G	4G	3G	2G	1G	NP	F1	F1

Note : 1) F1, F2 Filament 2) NP No pin 3) DL Datum Line 4) 1G ~ 16G Grid
 5) IC Internal connection (IC pin should be electrically open on the PC board.) 6) Fd terminals are to be supplied through 51kΩ from Ec.
 7) Field of vision is a minimum of 36° from the upper side. 26° from the lower side.

● GRID ASSIGNMENT



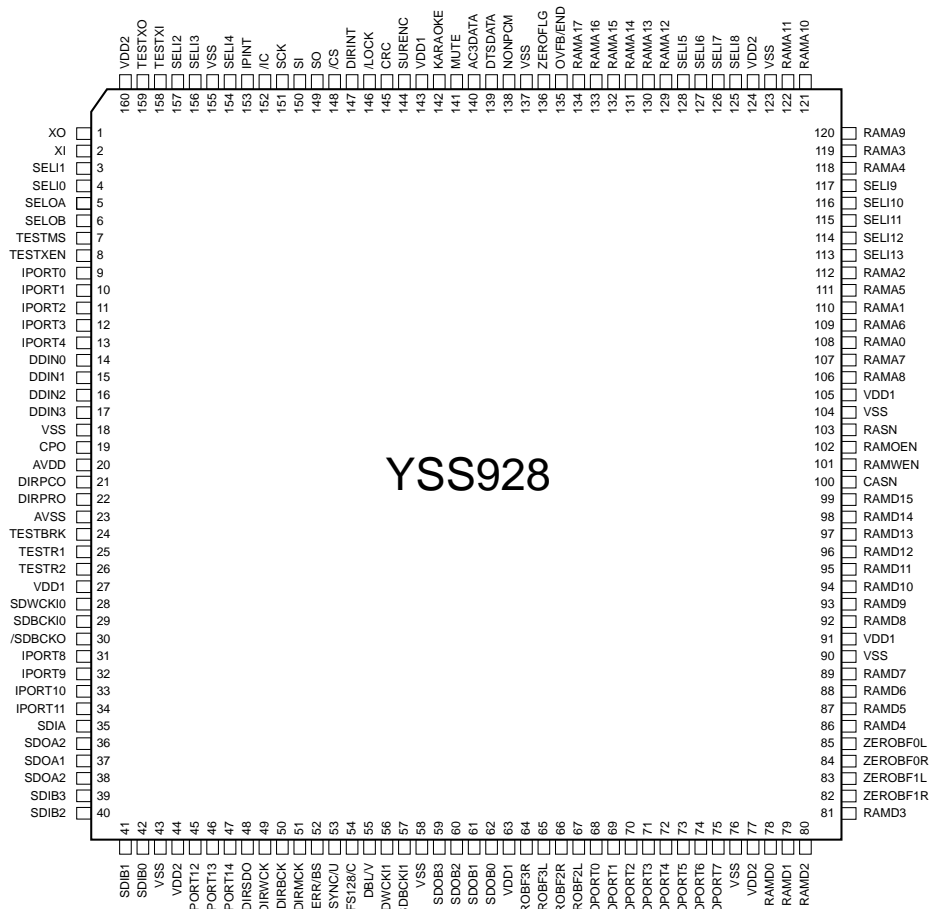
● ANODE CONNECTION

	16G	15G	14G	13G~1G
P1		ZONE 2	1-1	1-1
P2	VIRTUAL	SLEEP	2-1	2-1
P3		VOLUME	3-1	3-1
P4		B1	4-1	4-1
P5		B2	5-1	5-1
P6		B3	1-2	1-2
P7		B4	2-2	2-2
P8		B5	3-2	3-2
P9	SP	B6	4-2	4-2
P10	A	B7	5-2	5-2
P11	B	B8	1-3	1-3
P12	DTS	B9	2-3	2-3
P13	MOVIE THEATER	B10	3-3	3-3
P14	1	B11	4-3	4-3
P15	2	B12	5-3	5-3
P16	DOLBY	B13	1-4	1-4
P17	DIGITAL	B14	2-4	2-4
P18	PRO LOGIC	B15	3-4	3-4
P19	ENTERTAINMENT	B16	4-4	4-4

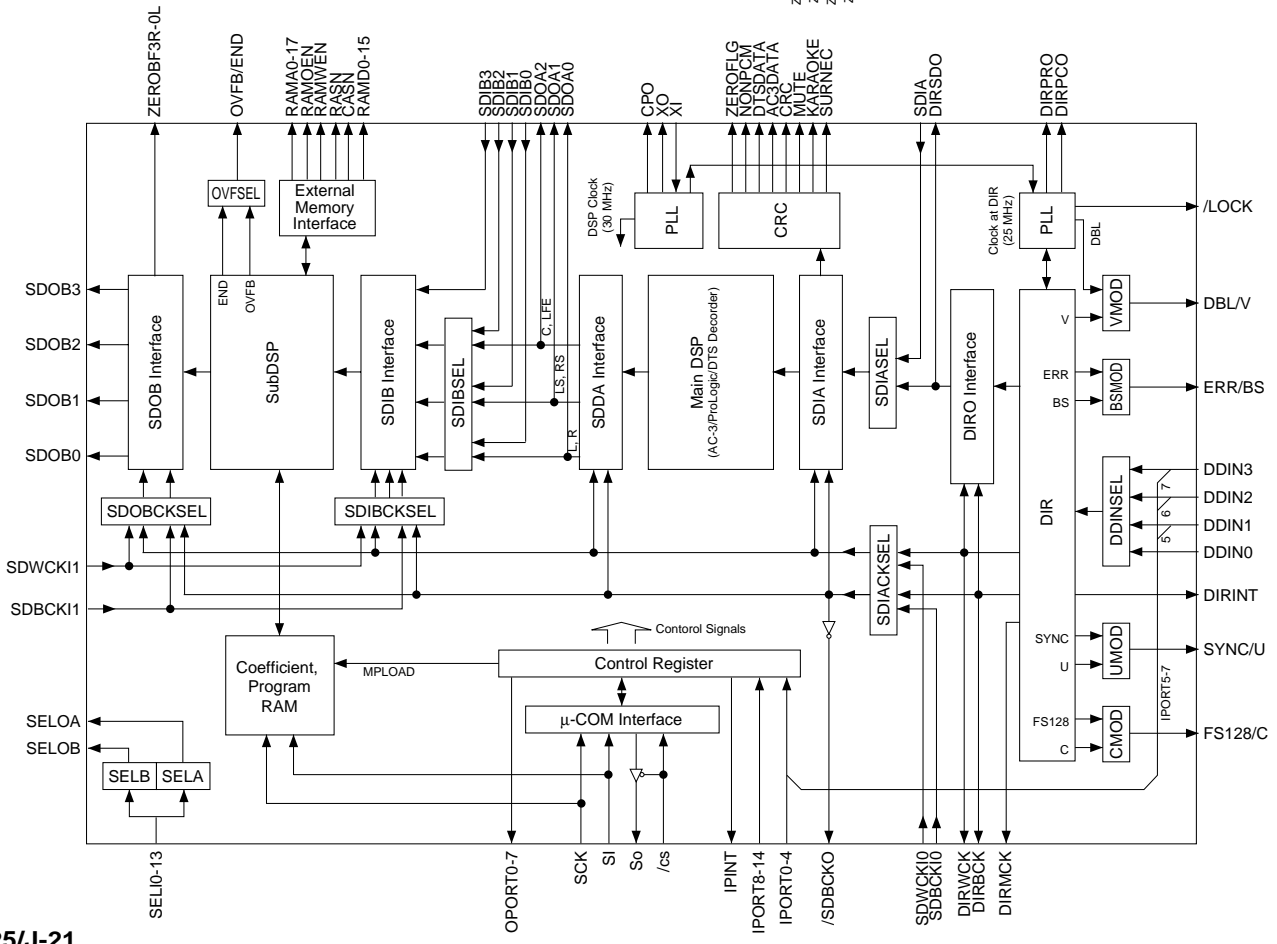
	16G	15G	14G	13G~1G
P20	<input type="checkbox"/> (PS)	B17	5-4	5-4
P21	PS	P18	1-5	1-5
P22	<input type="checkbox"/> (PTY)	B19	2-5	2-5
P23	PTY	▶ PHONO	3-5	3-5
P24	<input type="checkbox"/> (RT)	▶ CD	4-5	4-5
P25	RT	▶ TUNER	5-5	5-5
P26	<input type="checkbox"/> (CT)	▶ CD-R	1-6	1-6
P27	CT	▶ MD/TAPE	2-6	2-6
P28	PTY HOLD	▶ DVD	3-6	3-6
P29	EON	CABLE ◀	4-6	4-6
P30	STEREO	D-TV/LD ◀	5-6	5-6
P31	AUTO	CBL/SAT ◀	1-7	1-7
P32	NEWS	VCR 1 ◀	2-7	2-7
P33	INFO	VCR2/DVR ◀	3-7	3-7
P34	AFFAIRS	V-AUX ◀	4-7	4-7
P35	SPORT	S1	5-7	5-7
P36	MEMORY	S2	dB	-
P37	TUNED	S3	ms	-

IC DATA

IC501 : YSS928
PHONO EQ



YSS928



IC501 : YSS928

Pin Description

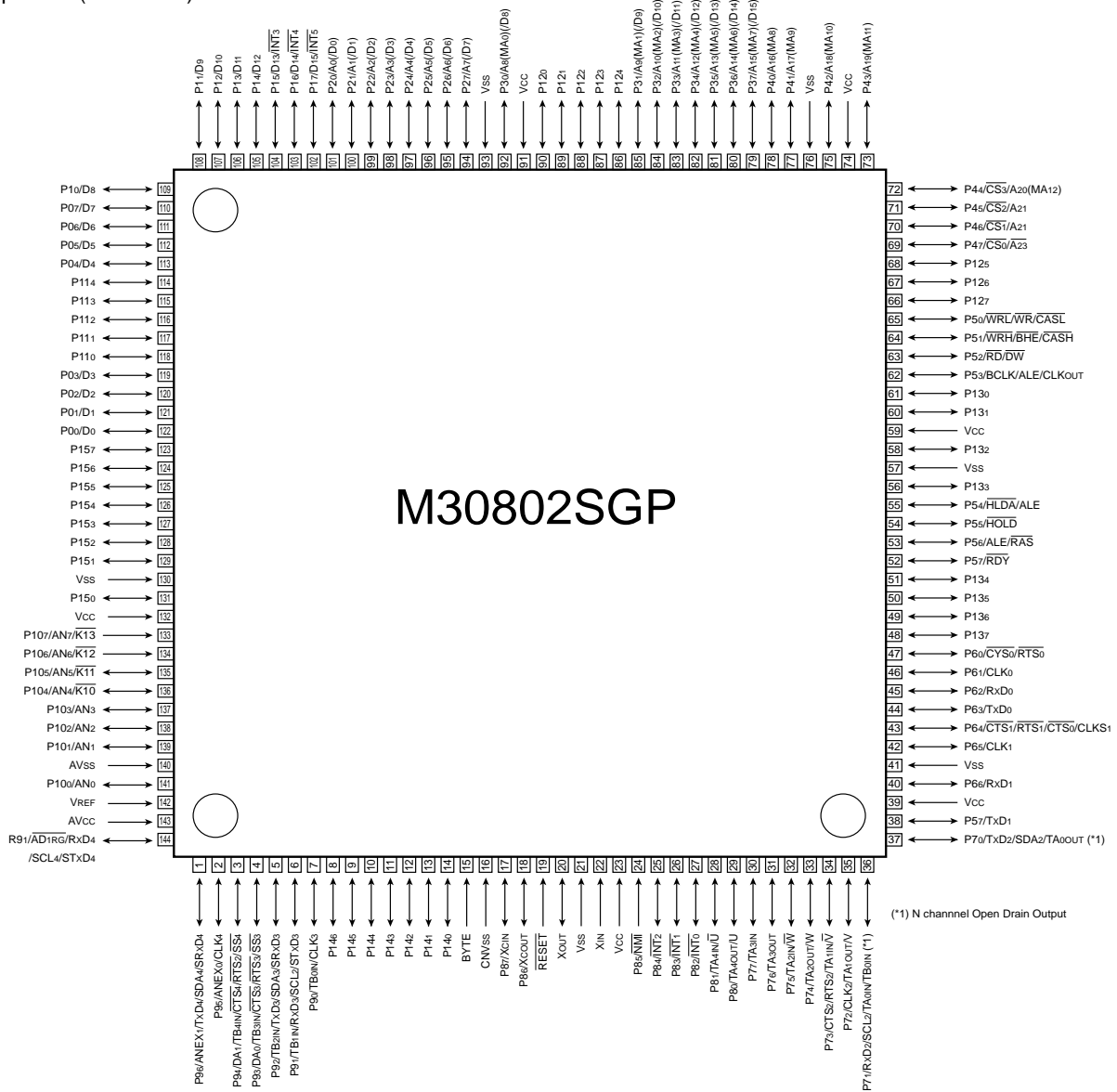
No.	Name	I/O	Function
1	XO	O	Crystal oscillator connection terminal
2	XI	I	Crystal oscillator connection terminal (24.576 MHz)
3	SEL11	I+	Built-in selector input 1
4	SEL10	I+	Built-in selector input 0
5	SELOA	O+	Built-in selector A output
6	SELOB	O+	Built-in selector B output
7	TESTMS	I+	Test terminal Unconnected
8	TESTXEN	I+	Test terminal Unconnected
9	IPORT0	I+	General purpose input terminal
10	IPORT1	I+	General purpose input terminal
11	IPORT2	I+	General purpose input terminal
12	IPORT3	I+	General purpose input terminal
13	IPORT4	I+	General purpose input terminal
14	DDIN0	Is	DIR: Digital audio interface data input terminal 0
15	DDIN1	Is	DIR: Digital audio interface data input terminal 1 / general purpose input terminal
16	DDIN2	Is	DIR: Digital audio interface data input terminal 2 / general purpose input terminal
17	DDIN3	Is	DIR: Digital audio interface data input terminal 3 / general purpose input terminal
18	VSS	-	GND
19	CPO	A	PLL filter connection terminal
20	AVDD	-	+3.3V power supply (for DIR block)
21	DIRPCO	A	DIR: PLL filter connection terminal
22	DIRPRO	A	DIR: PLL filter connection terminal
23	AVSS	-	GND (for DIR block)
24	TESTBRK	I+	Test terminal Unconnected
25	TESTR1	I+	PLL initialize signal input terminal for DSP
26	TESTR2	I+	Test terminal Unconnected
27	VDD1	-	+3.3V power supply (for terminal block)
28	SDWCKI0	I+	Word clock input terminal for SDIA, SDOA, SDIB, SDOB interfaces
29	SDBCKI0	I+	Word clock input terminal for SDIA, SDOA, SDIB, SDOB interfaces
30	/SDBCKO	O	Inverted clock output terminal for inverted clock of DIRBCK or SDBCKI0
31	IPORT8	I+	IPINT compatible general purpose input terminal
32	IPORT9	I+	IPINT compatible general purpose input terminal
33	IPORT10	I+	IPINT compatible general purpose input terminal
34	IPORT11	I+	IPINT compatible general purpose input terminal
35	SDIA	I	bitstream or PCM data input terminal to MainDSP
36	SDOA2	O	Output terminal for PCM from MainDSP (C, LFE output)
37	SDOA1	O	Output terminal for PCM from MainDSP (LS, RS output)
38	SDOA0	O	Output terminal for PCM from MainDSP (L, R output)
39	SDIB3	I+	Input terminal 3 for PCM to SubDSP
40	SDIB2	I+	Input terminal 2 for PCM to SubDSP
41	SDIB1	I+	Input terminal 1 for PCM to SubDSP
42	SDIB0	I+	Input terminal 0 for PCM to SubDSP
43	VSS	-	GND
44	VDD2	-	+2.5V power supply (for internal circuit)
45	IPORT12	I+	IPIN compatible general purpose input terminal
46	IPORT13	I+	IPIN compatible general purpose input terminal
47	IPORT14	I+	IPIN compatible general purpose input terminal
48	DIRSDO	O	bitstream or PCM data output terminal from DIR
49	DIRWCK	O	DIR: Serial data word clock (fs) output terminal
50	DIRBCK	O	DIR: Serial data bit clock (64fs) output terminal
51	DIRMCK	O	DIR: Serial data master clock (256fs or 128fs) output terminal
52	ERR/BS	O	DIR: Data error detect / block start output terminal
53	SYNC/U	O	DIR: Serial data synchronous timing / user data output terminal
54	FS128/C	O	DIR: Serial data master clock 128fs / channel status output terminal
55	DBL/V	O	DIR: Double rate lock detect / parity flag output terminal
56	SDWCKI1	I+	Word clock input terminal for SDIB, SDOB interface
57	SDBCKI1	I+	Bit clock input terminal for SDIB, SDOB interface
58	VSS	-	GND
59	SDOB3	O	Output terminal for PCM from SubDSP
60	SDOB2	O	Output terminal for PCM from SubDSP
61	SDOB1	O	Output terminal for PCM from SubDSP
62	SDOB0	O	Output terminal for PCM from SubDSP
63	VDD1	-	+3.3V power supply (for terminal block)
64	ZEROBF3R	O+	SDOB3 Rch zero flag output terminal
65	ZEROBF3L	O+	SDOB3 Lch zero flag output terminal
66	ZEROBF2R	O+	SDOB2 Rch zero flag output terminal
67	ZEROBF2L	O+	SDOB2 Lch zero flag output terminal
68	OPORT0	O	General purpose output terminal
69	OPORT1	O	General purpose output terminal
70	OPORT2	O	General purpose output terminal
71	OPORT3	O	General purpose output terminal
72	OPORT4	O	General purpose output terminal
73	OPORT5	O	General purpose output terminal
74	OPORT6	O	General purpose output terminal
75	OPORT7	O	General purpose output terminal

No.	Name	I/O	Function
76	VSS	-	GND
77	VDD2	-	+2.5V power supply (for internal circuit)
78	RAMD0	I+/O	SubDSP: Data terminal 0 for external memory
79	RAMD1	I+/O	SubDSP: Data terminal 1 for external memory
80	RAMD2	I+/O	SubDSP: Data terminal 2 for external memory
81	RAMD3	I+/O	SubDSP: Data terminal 3 for external memory
82	ZEROBF1R	O+	SDOB1 Rch zero flag output terminal
83	ZEROBF1L	O+	SDOB1 Lch zero flag output terminal
84	ZEROBF0R	O+	SDOB0 Rch zero flag output terminal
85	ZEROBF0L	O+	SDOB0 Lch zero flag output terminal
86	RAMD4	I+/O	SubDSP: Data terminal 4 for external memory
87	RAMD5	I+/O	SubDSP: Data terminal 5 for external memory
88	RAMD6	I+/O	SubDSP: Data terminal 6 for external memory
89	RAMD7	I+/O	SubDSP: Data terminal 7 for external memory
90	VSS	-	GND
91	VDD1	-	+3.3V power supply (for terminal block)
92	RAMD8	I+/O	SubDSP: Data terminal 8 for external memory
93	RAMD9	I+/O	SubDSP: Data terminal 9 for external memory
94	RAMD10	I+/O	SubDSP: Data terminal 10 for external memory
95	RAMD11	I+/O	SubDSP: Data terminal 11 for external memory
96	RAMD12	I+/O	SubDSP: Data terminal 12 for external memory
97	RAMD13	I+/O	SubDSP: Data terminal 13 for external memory
98	RAMD14	I+/O	SubDSP: Data terminal 14 for external memory
99	RAMD15	I+/O	SubDSP: Data terminal 15 for external memory
100	CASN	O	SubDSP: Column address strobe output terminal for external DRAM
101	RAMWEN	O	SubDSP: Write enable output terminal for external memory
102	RAMOEN	O	SubDSP: Output enable output terminal for external memory
103	RASN	O	SubDSP: Low address strobe output terminal for external DRAM
104	VSS	-	GND
105	VDD1	-	+3.3V power supply (for terminal block)
106	RAMA8	O	SubDSP: Address terminal 8 for external memory
107	RAMA7	O	SubDSP: Address terminal 7 for external memory
108	RAMA0	O	SubDSP: Address terminal 0 for external memory
109	RAMA6	O	SubDSP: Address terminal 6 for external memory
110	RAMA1	O	SubDSP: Address terminal 1 for external memory
111	RAMA5	O	SubDSP: Address terminal 5 for external memory
112	RAMA2	O	SubDSP: Address terminal 2 for external memory
113	SEL13	I+	Built-in selector input 13
114	SEL12	I+	Built-in selector input 12
115	SEL11	I+	Built-in selector input 11
116	SEL10	I+	Built-in selector input 10
117	SEL9	I+	Built-in selector input 9
118	RAMA4	O	SubDSP: Address terminal 4 for external memory
119	RAMA3	O	SubDSP: Address terminal 3 for external memory
120	RAMA9	O	SubDSP: Address terminal 9 for external memory
121	RAMA10	O	SubDSP: Address terminal 10 for external memory
122	RAMA11	O	SubDSP: Address terminal 11 for external memory
123	VSS	-	GND
124	VDD2	-	+2.5V power supply (for internal circuit)
125	SEL18	I+	Built-in selector input 8
126	SEL17	I+	Built-in selector input 7
127	SEL16	I+	Built-in selector input 6
128	SEL15	I+	Built-in selector input 5
129	RAMA12	O	SubDSP: Address terminal 12 for external memory
130	RAMA13	O	SubDSP: Address terminal 13 for external memory
131	RAMA14	O	SubDSP: Address terminal 14 for external memory
132	RAMA15	O	SubDSP: Address terminal 15 for external memory
133	RAMA16	O	SubDSP: Address terminal 16 for external memory
134	RAMA17	O	SubDSP: Address terminal 17 for external memory
135	OVFB/END	O	SubDSP: Overflow / program end detect terminal
136	ZEROFLG	O	MainDSP: Zero flag output terminal
137	VSS	-	GND
138	NONPCM	O	Main DSP: non-PCM data detect terminal
139	DTSDATA	O	MainDSP: DTS data detect terminal
140	AC3DATA	O	MainDSP: AC-3 data detect terminal
141	MUTE	O	MainDSP: Auto mute detect terminal
142	KARAOKE	O	MainDSP: AC-3 Karaoke data detect terminal
143	VDD1	-	+3.3V power supply (for terminal block)
144	SURENC	O	MainDSP: AC-3 2/0 mode Dolby Surround Encode input detect terminal
145	CRC	O	MainDSP: AC-3 CRC error detect terminal
146	/LOCK	O	DIR: PLL lock detect terminal
147	DIRINT	O	DIR: Interrupt output terminal
148	/CS	Is	Microprocessor interface chip select input terminal
149	SO	Ot	Microprocessor interface data output terminal
150	SI	Is	Microprocessor interface data input terminal
151	SCK	Is	Microprocessor interface clock input terminal
152	/IC	Is	Initial clear input terminal
153	IPINT	O+	Output terminal for interrupt by IPORT8-14

No.	Name	I/O	Function
154	SEL14	I+	Built-in selector input 4
155	VSS	-	GND
156	SEL13	I+	Built-in selector input 3
157	SEL12	I+	Built-in selector input 2
158	TESTXI	I	Test terminal Must be connected with VSS.
159	TESTXO	O	Test terminal Unconnected.
160	VDD2	-	+2.5V power supply (for internal circuit)

Is: Schmidt trigger input terminal
 I+: Input terminal with pulled-up resistor
 O: Digital output terminal
 Ot: 3-state digital output terminal
 A: Analog terminal

IC526 : M30802SGP
16bit μ -COM (Main CPU)



IC526 : M30802SGP

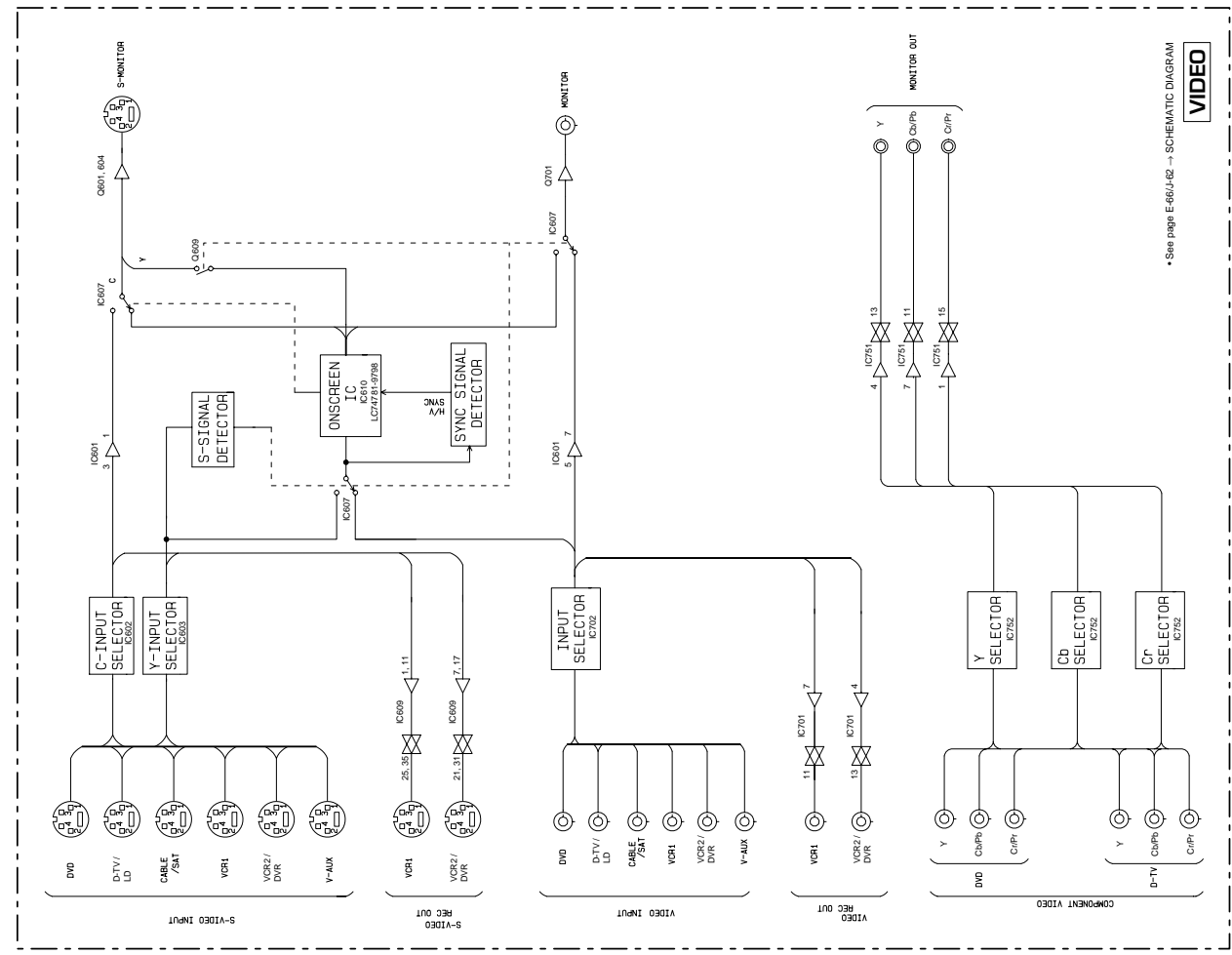
Pin Description

No.	Port No.	Function name	I/O	Detail of function	ON	OFF	BU
1	P96	TXDR	O	232C transmission data / Yokokawa data transmission	O	OL	OL
2	P95	RTS	I/O	232C RTS output / Yokokawa clock input	I/O	OL	OL
3	P94	CTS	I	232C CTS input	I	I	OL
4	P93	FAN	I	Fan control	I	I	OL
5	P92	SDTN	O	None audio serial transmission data (necessary port)	SO	OL	OL
6	P91	RXRDS	I	RDS received / Frequency switch (R version)	SI	I	OL
7	P90	SCKN	SCK	None audio serial clock	SCK	OL	OL
8	P146	E/I	O	Outside / inside synchronized output	O	OL	OL
9	P145	CEBU	O	BU2092CE or ZONE2	O	OL	OL
10	P144	/FLR	O	FL IC reset	O	OL	OL
11	P143	CEM0	O	FL1 enable	O	OL	OL
12	P142	CEM1	O	FL2 enable	O	OL	OL
13	P141	RDSE	O	RDS enable or RDS	O	OL	OL
14	P140	CES	O	Onscreen enable output / N/P format	O	OL	OL
15	BYTE	BYTE	VSS	Vss at 16 bit data	Vss	Vss	Vss
16	CNVss	CNVss	VCC	Vcc at microprocessor mode	Vcc	Vcc	Vcc
17	P87	MODEL	I	Model distinction	I	I	OL
18	P86	BOOT	I	Boot terminal for Yokokawa tool	I	I	OL
19	RESET	RESET	I	Reset	-	-	-
20	XOUT	XOUT	O	Oscillate output	-	-	-
21	VSS	VSS	VSS	Microcomputer ground	-	-	-
22	XIN	XIN	I	Oscillate input	-	-	-
23	VCC	VCC	I	Microcomputer power supply +5V	-	-	-
24	P85	NMI	I	Pullup by Vcc / 232C boot	-	-	-
25	P84	REM1	I	Remote control pulse input and LO edge interrupted	I	I	OL
26	P83	PEW	I	Power switch and HI edge interrupted	I	I	OL
27	P82	PDET	I	Power detect and LO edge interrupted	I	I	I
28	P81	VSX	I	Vertical synchronized detect	I	I	OL
29	P80	/ICD	O	IC YSS928 / DA / AD / CODEC / DEM	O	OL	OL
30	P77	RXDR	I	232C receive data (connect to pin 29)	I	I	OL
31	P76	/DMT	O	Digital full mute	O	OL	OL
32	P75	INT928	I	YSS928 IPINT / MUTE / DIR	I	I	OL
33	P74				O	OL	OL
34	P73	CEP	O	PLL IC enable	O	OL	OL
35	P72	SCKP	O	PLL IC clock	O	OL	OL
36	P71	RDTP	I	PLL IC receive data	I	I	OL
37	P70	SDTP	O	PLL IC transmission data (necessary PU)	O	OL	OL
38	P57	SDM	O	YSS928 transmission data	SO	OL	OL
39	VCC	VCC	VCC	Microcomputer power supply +5V			
40	P66	SDD	I	YSS928 receive data	SI	I	OL
41	VSS	VSS	VSS	Microcomputer ground			
42	P65	SCK	SCK	YSS928 clock	SCK	OL	OL
43	P64	/CSA	O	YSS928 CE	O	OL	OL
44	P63	CEC	O	CS3310 serial transmission data	SO	OL	OL
45	P62	CEC	O	CS3310 enable	O	OL	OL
46	P61	SCKC	SCK	CS3310 serial clock	SCK	OL	OL
47	P60	CSV	O	CS3310 power supply control	O	OL	OL
48	P137	/CSM	O	CS3310 reset	O	OL	OL
49	P136	VRB	I	Volume rotary B	I	I	OL
50	P135	VRA	I	Volume rotary A	I	I	OL
51	P134	PRI	I	Current protection	I	I	I
52	P57						HI
53	P56						HI
54	P55						HI
55	P54						HI
56	P133	/BEC	O	Bus extension control	O	OL	OL
57	VSS	VSS	VSS	Microcomputer ground			
58	P132	/Z2MT	O	Zone 2 mute	O	OL	OL
59	VCC	VCC	VCC	Microcomputer power supply +5V			
60	P131	/HPMT	O	Headphone mute	O	OL	OL
61	P130	/FMTF	O	Full mute FL / FR / MAIN -3dB	O	OL	OL
62	P53						HI
63	P52			OE			HI
64	P51						HI
65	P50			WE			HI
66	P127	/FMST	O	Full mute SWL / SWR / SW MONO	O	OL	OL
67	P126	/FMTC	O	Full mute CENTER	O	OL	OL
68	P125	/FMTR	O	Full mute MAIN L / R, RL / RC / RR"	O	OL	OL
69	P47						Just before
70	P46						Just before
71	P45						Just before
72	P44						Just before
73	P43						Just before
74	VCC	VCC	VCC	Microcomputer power supply +5V			
75	P42						Just before

No.	Port No.	Function name	I/O	Detail of function	ON	OFF	BU
76	VSS	VSS	VSS	Microcomputer ground			
77	P41						Just before
78	P40						Just before
79	P37						Just before
80	P36						Just before
81	P35						Just before
82	P34						Just before
83	P33						Just before
84	P32						Just before
85	P31						Just before
86	P124	SCKA	O	Clock output for audio IC	O	OL	OL
87	P123	SDTA	O	Data output for audio IC	O	OL	OL
88	P122	CEL	O	Enable output for audio IC of sanyo	O	OL	OL
89	P121	RIMA	O	Power rimitter A	O	OL	OL
90	P120	RIMB	O	Power rimitter B	O	OL	OL
91	VCC	VCC	VCC	Microcomputer power supply +5V			
92	P30						Just before
93	VSS	VSS	VSS	Microcomputer ground			
94	P27						Just before
95	P26						Just before
96	P25						Just before
97	P24						Just before
98	P23						Just before
99	P22						Just before
100	P21						Just before
101	P20						Just before
102	P17						Just before
103	P16						Just before
104	P15						Just before
105	P14						Just before
106	P13						Just before
107	P12						Just before
108	P11						Just before
109	P10						Just before
110	P07						Just before
111	P06						Just before
112	P05						Just before
113	P04						Just before
114	P114	/MLV	O	Main level	O	OL	OL
115	P113	PRY	O	Power relay	O	OL	OL
116	P112	SPE	O	Speaker relay at effect	O	OL	OL
117	P111	SPB	O	Speaker relay at main B	O	OL	OL
118	P110	SPA	O	Speaker relay at main A	O	OL	OL
119	P03						Just before
120	P02						Just before
121	P01						Just before
122	P00						Just before
123	P157	TUN0	I	Tuner step 0	I	I	OL
124	P156	TUN1	I	Tuner step 1	I	I	OL
125	P155	ISA/BSW	I	Program rotary A / BASS EXT switch	I	I	OL
126	P154	ISB/PSW	I	Program rotary B / PR.DIRECT switch	I	I	OL
127	P153	/HP	I	Headphone detect	I	I	OL
128	P152	TMT	O	Tuner mute	O	OL	OL
129	P151	/TUNED	I	Tuner meter	I	I	OL
130	VSS	VSS	VSS	Microcomputer ground			
131	P150	/ST	I	Tuner stereo	I	I	OL
132	VCC	VCC	VCC	Microcomputer power supply +5V			
133	P107	RMV	I	Power rimitter for model distinction	I	I	I
134	P106	REC	I	REC OUT selector	I	I	I
135	P105	PREMT	I	Power rimitter detect	I	I	I
136	P104	ADKEY1	I	Key tact switch 1	I	I	I
137	P103	ADKEY0	I	Key tact switch 0	I	I	I
138	P102	AN2	I	Temperature detect	I	I	I
139	P101	AN1	I	Power amplifier DC protection	I	I	I
140	AVSS	VSS	VSS	AD ground	VSS	VSS	VSS
141	P100	AN0	I	Power supply protection	I	I	I
142	VREF	VREF	VCC	AD reference	VCC	VCC	VCC
143	AVCC	AVCC	VCC	AD power supply	VCC	VCC	VCC
144	P91	RXDR	I	232C receive data / Yokokawa data receive	I	I	OL

Voltage	0.0	0.5	1.0	1.5	2.0	2.5	3.0	3.5	4.0	4.5
KEY0	PRESET ►	PRESET ◀	PRESET/EDIT	FM/AM	MEMORY	TUNING MODE	RDS MODE	EON	PTY SEEK MODE	PTY SEEK START
KEY1	6CH INPUT	INPUT ►	INPUT ◀	INPUT MODE	SPA	SPB	EFFECT	PROGRAM ►	PROGRAM ◀	A/B/C/D/E

1 ■ BLOCK DIAGRAM (1/2)



• See page E-66/J-62 → SCHEMATIC DIAGRAM

VIDEO

1

2

3

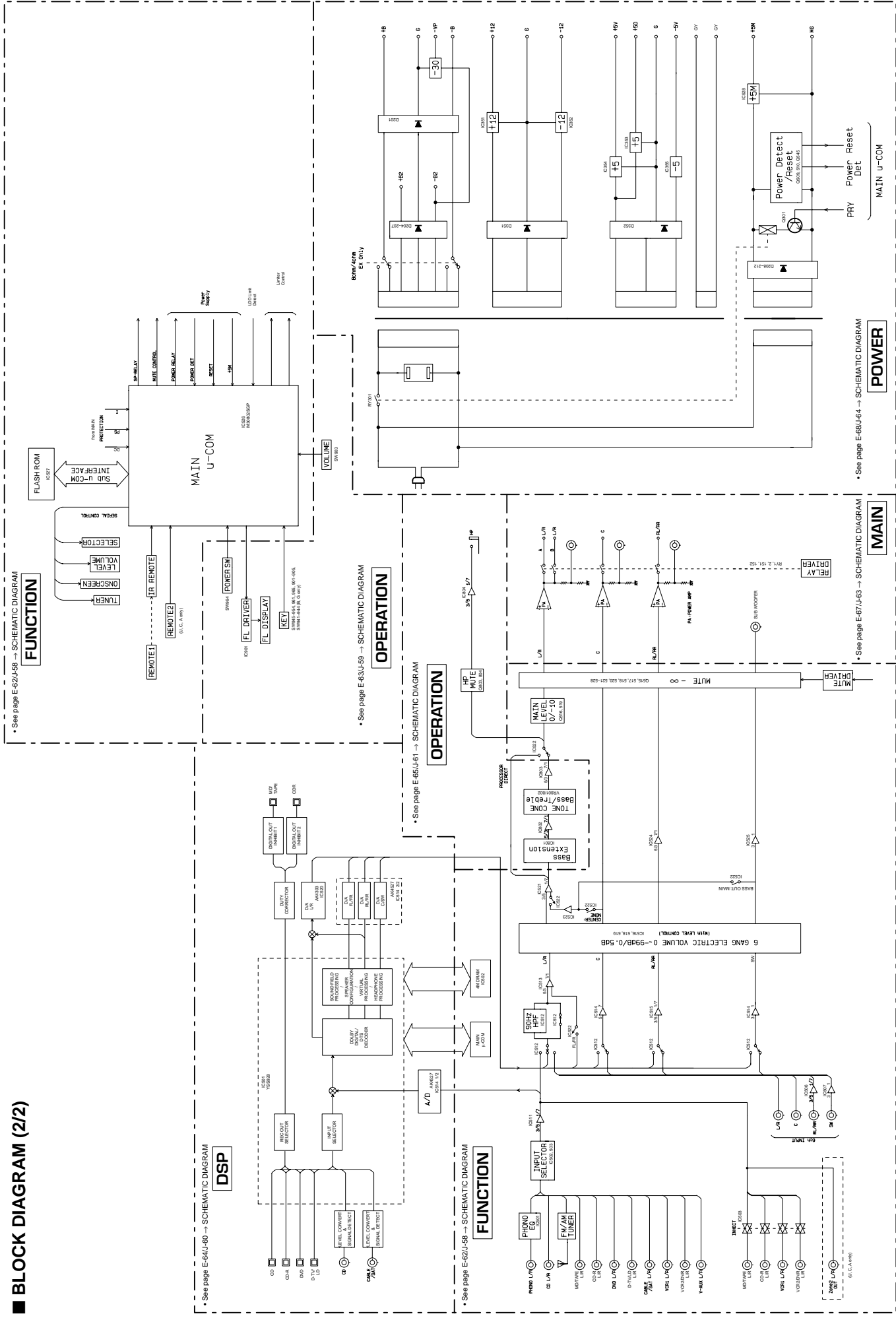
4

5

6

7

1 ■ BLOCK DIAGRAM (2/2)



• See page E-62/J-58 → SCHEMATIC DIAGRAM

• See page E-64/J-60 → SCHEMATIC DIAGRAM

• See page E-63/J-59 → SCHEMATIC DIAGRAM

• See page E-65/J-61 → SCHEMATIC DIAGRAM

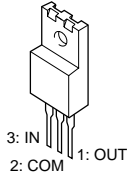
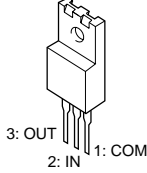
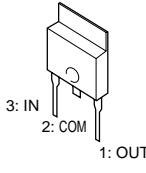
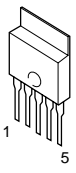
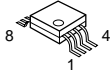
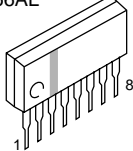
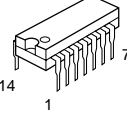
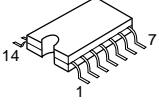
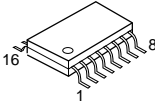
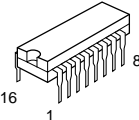
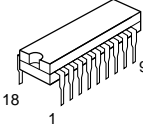
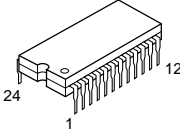
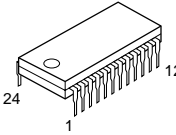
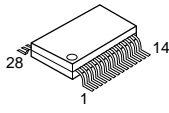
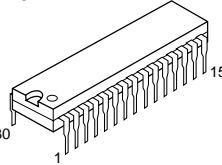
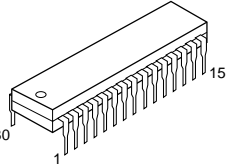
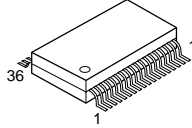
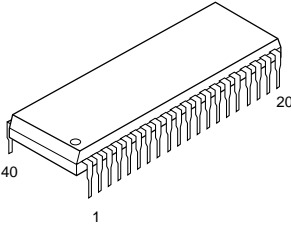
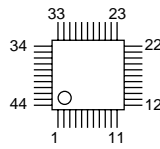
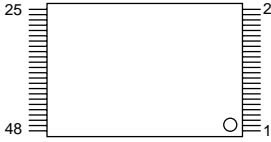
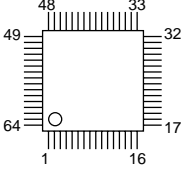
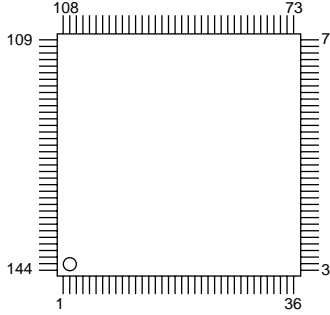
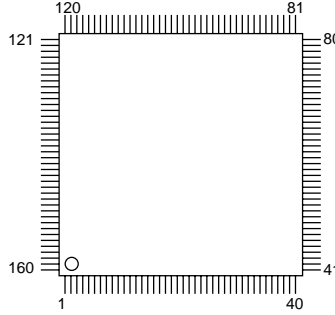
• See page E-62/J-58 → SCHEMATIC DIAGRAM

• See page E-67/J-63 → SCHEMATIC DIAGRAM

• See page E-68/J-64 → SCHEMATIC DIAGRAM

■ PIN CONNECTION DIAGRAM

• ICs

<p>AN78N05 NJM7805FA NJM7812FA NJM78M05FA</p>  <p>3: IN 2: COM 1: OUT</p>	<p>NJM79M05FA NJM79M12FA</p>  <p>3: OUT 2: IN 1: COM</p>	<p>μPC29M33T-E1</p>  <p>3: IN 2: COM 1: OUT</p>	<p>PQ025EZ5MZP</p>  <p>1 5</p>
<p>NJM2068MD NJM2904M TK15420M μPC4570G2</p>  <p>8 4</p>	<p>NJM2068LD NJM4556AL</p>  <p>1 8</p>	<p>TC4066BP</p>  <p>14 7</p>	<p>TC74HC00AF TC74HCU04AF TC74VHCT08AF</p>  <p>14 7</p>
<p>CS3310-KS LA7104M LA7108M</p>  <p>16 8</p>	<p>TC74HC4051AP TC74HC4053AP TC74HCU04AP</p>  <p>16 8</p>	<p>BU2092</p>  <p>18 9</p>	<p>LC72722</p>  <p>24 12</p>
<p>LC74781-9798</p>  <p>24 12</p>	<p>AK4393-VF-E2</p>  <p>28 14</p>	<p>LC78211 LC78213</p>  <p>30 15</p>	<p>LC78212</p>  <p>30 15</p>
<p>LA7109</p>  <p>36 18</p>	<p>MSM514260C-60JS</p>  <p>40 20</p>	<p>AK4527VQ</p>  <p>33 23 34 22 44 12 1 11</p>	<p>MBM29F400BC-70</p>  <p>25 24 48 1</p>
<p>LC75710NE LC75712E</p>  <p>48 33 49 32 64 17 1 16</p>	<p>M30802SGP</p>  <p>108 73 109 72 144 37 1 36</p>	<p>YSS928</p>  <p>120 81 121 80 160 41 1 40</p>	

• Diodes

<p>1N4002S MTZJ5.6B 1SR139 MTZJ6.8A 1SS133 MTZJ9.1A 1SS270A MTZJ11B 1T2 MTZJ12A HZS7B2TD MTZJ12C MTZJ4.7C MTZJ16A MTZJ5.1A MTZJ30.0A</p>	<p>1SS355 RB501V-40</p>
<p>D2SBA20</p>	<p>S5VB20</p>

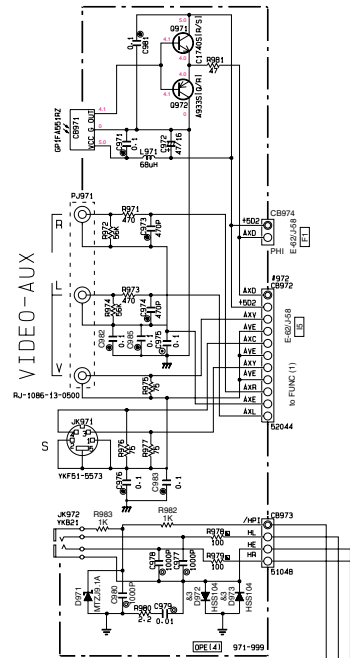
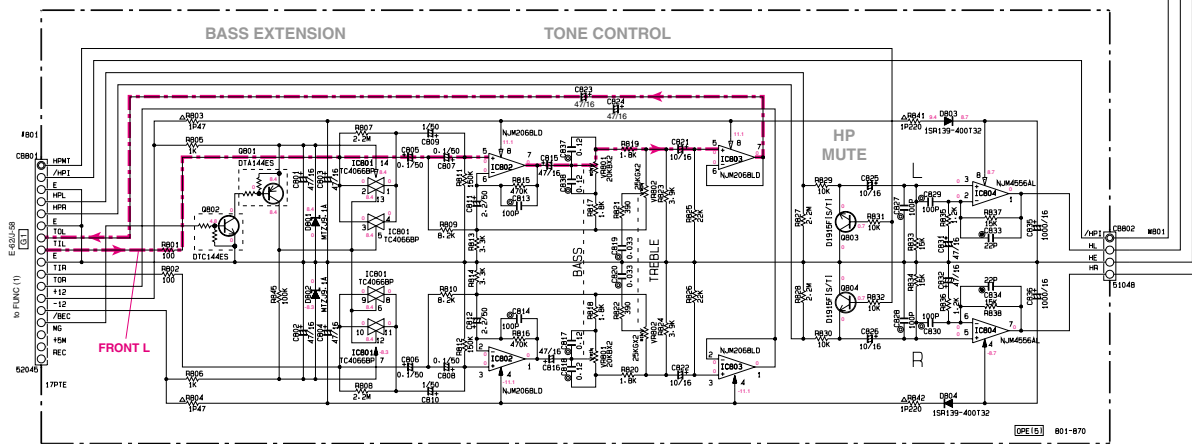
• Transistors

<p>2SA893A 2SA1015 2SB949 2SC535 2SC1815 2SC1890A 2SC2240 2SC2878</p>	<p>2SA933S 2SC1740S 2SD1915F 2SD1991A DTA144ES DTC114ES DTC144ES</p>	<p>2SB1565 2SD2396</p>	<p>2SA1492 2SC3856</p>
<p>2SA1037 2SC3326 DTA144EK DTC144EKA</p>	<p>2SA1708 2SA1770 2SC4488 2SC4614</p>	<p>2SK246</p>	

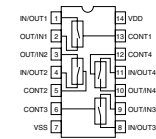
RESISTOR	
REMARKS	PARTS NAME
NO MARK	CARBON FILM RESISTOR (P<5)
□	CARBON FILM RESISTOR (P<10)
△	METAL OXIDE FILM RESISTOR
▲	METAL FILM RESISTOR
⊗	METAL DATE RESISTOR
■	FIRE PROOF CARBON FILM RESISTOR
□	CEMENT MOLDED RESISTOR
⊕	SEMI VARIABLE RESISTOR
■	CHIP RESISTOR

CAPACITOR	
REMARKS	PARTS NAME
NO MARK	ELECTROLYTIC CAPACITOR
⊗	TANTALUM CAPACITOR
NO MARK	CERAMIC CAPACITOR
⊙	CERAMIC TUBULAR CAPACITOR
⊖	POLYESTER FILM CAPACITOR
○	POLYSTYRENE FILM CAPACITOR
◇	MICA CAPACITOR
⊖	POLYPROPYLENE FILM CAPACITOR
●	SEMICONDUCTIVE CERAMIC CAPACITOR
⊖	POLYPHENYLENE SULFIDE FILM CAPACITOR

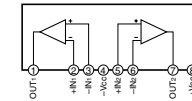
NOTICE (mode1)
 (J)..... JAPANESE
 (U)..... U.S.A.
 (C)..... CANADIAN
 (R)..... GENERAL
 (A)..... AUSTRALIAN
 (B)..... BRITISH
 (G)..... EUROPEAN
 (T)..... CHINA
 (L)..... SINGAPORE



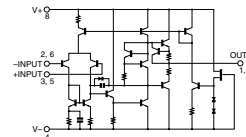
IC801: TC4066BP
 Quad Analog Switch/Multiplexer



IC802, IC803: NIM2068LD
 Dual OP-Amp



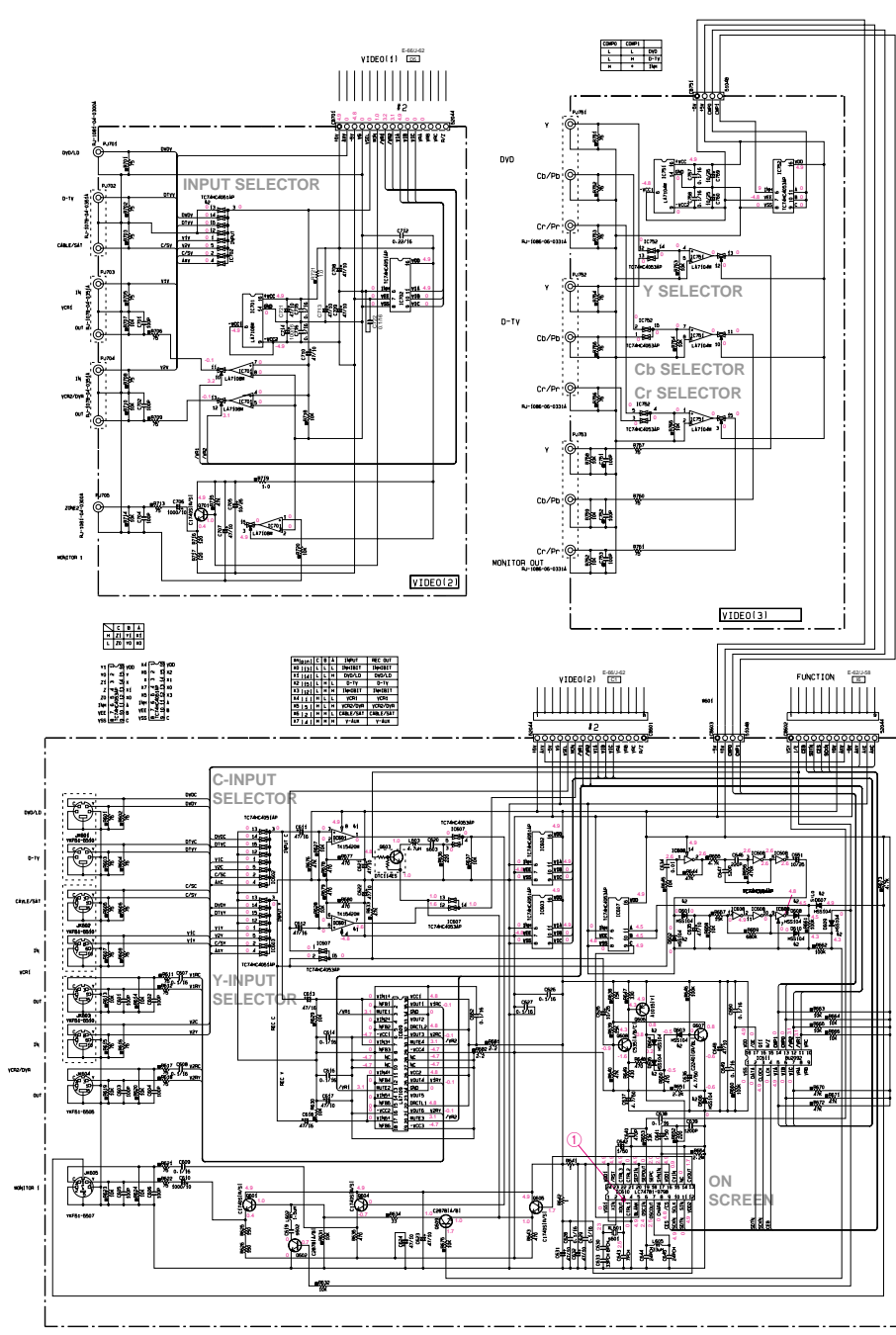
IC804: NIM4556AL
 Dual OP-Amp



★ All voltage are measured with a 10M Ω /V DC electric volt meter.
 ★ Components having special characteristics are marked with a triangle (▲) and must be replaced with parts having specifications equal to those originally installed.
 ★ Schematic diagram is subject to change without notice.

● 電圧は、内部抵抗10MΩの電圧計で測定したものです。
 ● ▲印のある部品は、安全性確保部品を示しています。部品の交換が必要な場合、パーツリストに記載されている部品を使用してください。
 ● 本回路図は標準回路図です。改良のため予告なく変更することがございます。

■ SCHEMATIC DIAGRAM (VIDEO)

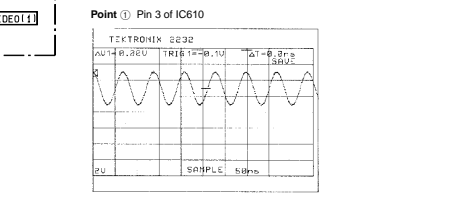
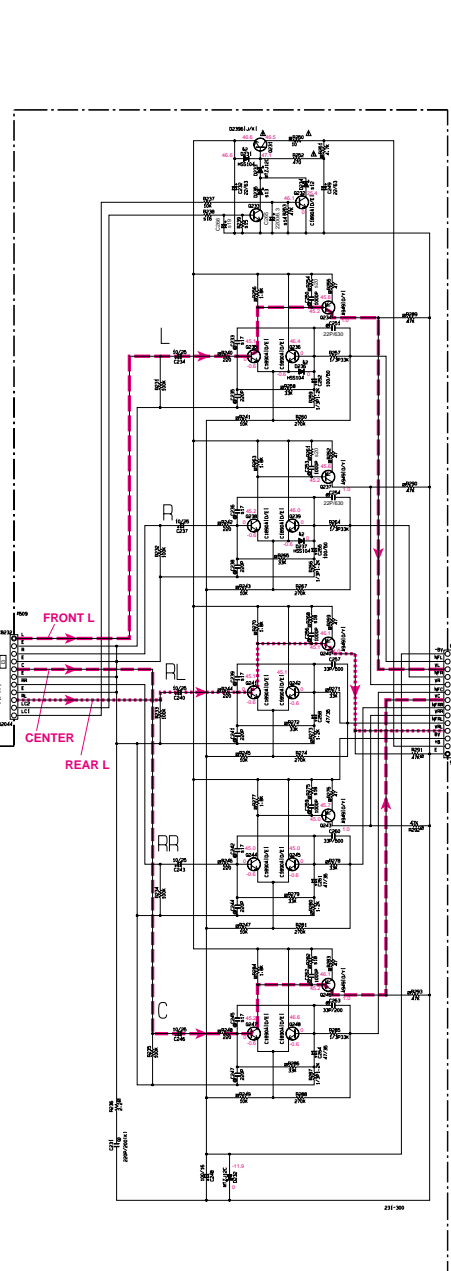


CAPACITOR		RESISTOR	
SYMBOL	PARTS NAME	SYMBOL	PARTS NAME
⊖	MONO ELECTROLYTIC CAPACITOR	□	GENERAL PURPOSE RESISTOR (1/4W)
⊖	POLYMER ELECTROLYTIC CAPACITOR	□	CARBON FILM RESISTOR (1/10W)
⊖	WAX ELECTROLYTIC CAPACITOR	□	METAL FILM RESISTOR
⊖	CERAMIC TANTALUM CAPACITOR	□	GENERAL PURPOSE RESISTOR (1/4W)
⊖	METAL ELECTROLYTIC CAPACITOR	□	100 OHM CARBON FILM RESISTOR
⊖	POLYESTER FILM CAPACITOR	□	TEMPERATURE VARIABLE RESISTOR
⊖	POLYPROPYLENE FILM CAPACITOR	□	SENS. VARIABLE RESISTOR
⊖	SEMI CONDUCTIVE CERAMIC CAPACITOR	□	SLICK RESISTOR
⊖	PAPER ELECTROLYTIC CAPACITOR		
⊖	PHENYLENE SULFONE FILM CAPACITOR		

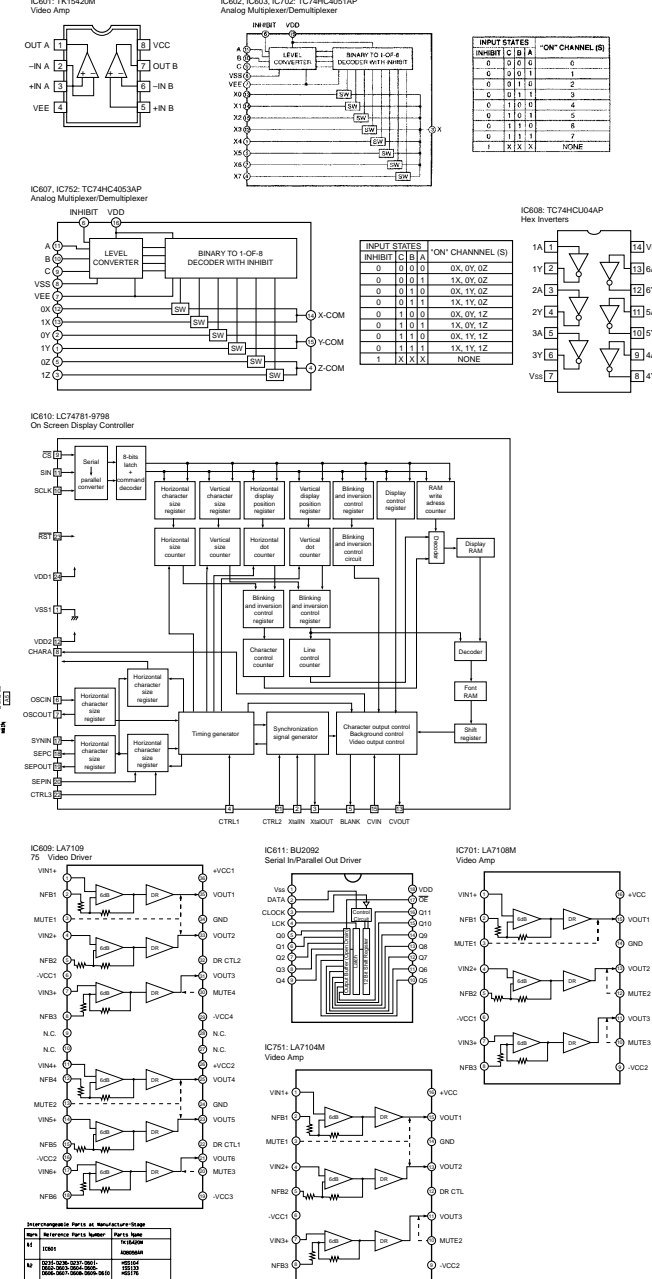
NOTICE (Important)

- * All voltage are measured with a 10M Ω / V DC electric volt meter.
- * Components having special characteristics are marked Φ , and must be replaced with parts having specifications equal to those originally installed.
- * Schematic diagram is subject to change without notice.

●電圧は、内部抵抗10M Ω の電圧計で測定したものです。
 ● Φ 印のある部品は、安全性確保部品を示しています。部品の交換が必要な場合、パーツリストに記載されている部品を使用してください。
 ●本回路図は標準回路図です。改良のため予告なく変更することがございます。



RX-V800/RX-V800RDS/HTR-S280/DSP-AX8



Interchange Parts as Manufacture Stage

Part No.	Reference Part Number	Part Name
10	IC601	ANALOG MULTIPLEXER/DEMULTIPLEXER
11	IC602	ANALOG MULTIPLEXER/DEMULTIPLEXER
12	IC607	ANALOG MULTIPLEXER/DEMULTIPLEXER
13	IC608	HEX INVERTERS
14	IC609	VIDEO DRIVER
15	IC610	ON SCREEN DISPLAY CONTROLLER
16	IC611	SERIAL IN/PARALLEL OUT DRIVER
17	IC612	VIDEO AMP

Part No.	Part Name	Part No.	Part Name
101	RESISTOR	101	RESISTOR
102	RESISTOR	102	RESISTOR
103	RESISTOR	103	RESISTOR
104	RESISTOR	104	RESISTOR
105	RESISTOR	105	RESISTOR
106	RESISTOR	106	RESISTOR
107	RESISTOR	107	RESISTOR
108	RESISTOR	108	RESISTOR
109	RESISTOR	109	RESISTOR
110	RESISTOR	110	RESISTOR
111	RESISTOR	111	RESISTOR
112	RESISTOR	112	RESISTOR
113	RESISTOR	113	RESISTOR
114	RESISTOR	114	RESISTOR
115	RESISTOR	115	RESISTOR
116	RESISTOR	116	RESISTOR
117	RESISTOR	117	RESISTOR
118	RESISTOR	118	RESISTOR
119	RESISTOR	119	RESISTOR
120	RESISTOR	120	RESISTOR

FRONT L POWER AMP

FRONT R POWER AMP

FRONT L REAR L POWER AMP

REAR R POWER AMP

CENTER POWER AMP

CAPACITOR	
REMARKS	PARTS NAME
NO MARK	ELECTROLYTIC CAPACITOR
⊖	TANTALUM CAPACITOR
NO MARK	CERAMIC CAPACITOR
⊙	CERAMIC DISK CAPACITOR
⊕	POLYESTER FILM CAPACITOR
⊖	POLYPROPYLENE FILM CAPACITOR
⊙	MICA CAPACITOR
⊕	POLYPROPYLENE FILM CAPACITOR
⊖	SEMICONDUCTIVE CERAMIC CAPACITOR
⊙	POLYETHYLENE SULFIDE FILM CAPACITOR

RESISTOR	
REMARKS	PARTS NAME
NO MARK	CARBON FILM RESISTOR (F&E)
⊖	CARBON FILM RESISTOR (P-10)
⊕	METAL GLAZE FILM RESISTOR
⊖	METAL FILM RESISTOR
⊕	METAL PLATE RESISTOR
⊖	FIXE POINT CARBON FILM RESISTOR
⊕	CEMENT MOLDED RESISTOR
⊖	SEMI VARIABLE RESISTOR
⊕	CHIP RESISTOR

NOTICE (model)
 (J)..... JAPANESE
 (U)..... U. S. A.
 (C)..... CANADIAN
 (R)..... GENERAL
 (A)..... AUSTRALIAN
 (B)..... BRITISH
 (G)..... EUROPEAN
 (T)..... CHINA
 (L)..... SINGAPORE

Interchangeable Parts at Manufacture Stage			
Mark	Reference Parts Number	Parts Name	
81	250E-106	250E106(1/1)	
82	ES-3-13-14-26-27-28-200	ES5104 ES113 ES176	
83	8V1-051-102	DS402-01(M) DS402-01(M)-SL	

R0801						
#	Circuit No.	J	U.C	R.1	R	B-S.L
41	441-49	X	X	0-01 (U84401)	0-01 (U84401)	0-01 (U84401)
42	C181-154	X	X	4700P (V174001)	4700P (V174001)	4700P (V174001)
43	8401	X	X	0.1M-030MKS (V410401)	0.1M-030MKS (V410401)	0.1M-030MKS (V410401)
44	8134-136	X	X	4.7 (V475471)	4.7 (V475471)	4.7 (V475471)
45	CB-40	X	X	400P (V440001)	400P (V440001)	400P (V440001)
47	TE1	Y591210	Y591210	Y591210	Y591210	Y591210
48	TE81	Y591230	Y591230	Y591230	Y591230	Y591230
49	C190-106	X	X	0-01 (V174001)	0-01 (V174001)	0-01 (V174001)
410	J010-203	0	X	X	X	X
411	J001	0	0	X	0	0
412	0011-203	X	X	0.001M-01M (V410401)	0.001M-01M (V410401)	0.001M-01M (V410401)
413	8000-208	X	X	100 (V401001)	100 (V401001)	100 (V401001)
414	0011	X	X	10K (V401001)	10K (V401001)	10K (V401001)
415	0001	X	X	150130 (V401001)	150130 (V401001)	150130 (V401001)
416	CD05	X	X	100K (V401001)	100K (V401001)	100K (V401001)
417	CD12	X	X	100K (V401001)	100K (V401001)	100K (V401001)
418	0002	X	X	100K (V401001)	100K (V401001)	100K (V401001)
419	0003	X	X	100K (V401001)	100K (V401001)	100K (V401001)
420	CD13	X	X	100K (V401001)	100K (V401001)	100K (V401001)
421	0008	X	X	100K (V401001)	100K (V401001)	100K (V401001)

* All voltage are measured with a 10M Ω /V DC electric volt meter.
 * Components having special characteristics are marked \ddagger and must be replaced with parts having specifications equal to those originally installed.
 * Schematic diagram is subject to change without notice.

● 電圧は、内部抵抗10M Ω の電圧計で測定したものです。
 ● \ddagger 印のある部品は、安全性確保部品を示しています。部品の交換が必要な場合、パーツリストに記載されている部品を使用してください。
 ● 本回路図は標準回路図です。改良のため予告なく変更することがございます。

■ SCHEMATIC DIAGRAM (POWER)

RESISTOR

MARKS	PARTS NAME
NO MARK	CARBON FILM RESISTOR (P=1)
△	CARBON FILM RESISTOR (P=10)
□	METAL OXIDE FILM RESISTOR
■	METAL FILM RESISTOR
◇	METAL PASTE RESISTOR
○	F.F.C. PROOF CARBON FILM RESISTOR
◎	CEMENT MOUNTED RESISTOR
◊	SEM. VARIABLE RESISTOR
■	TCHIP RESISTOR

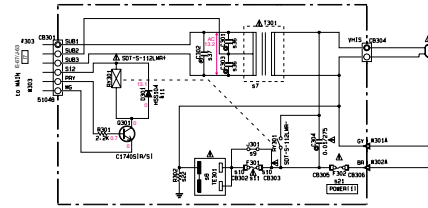
CAPACITOR

MARKS	PARTS NAME
NO MARK	ELECTROLYTIC CAPACITOR
□	TANTALUM CAPACITOR
NO MARK	CERAMIC CAPACITOR
■	CERAMIC TUBULAR CAPACITOR
○	POLYESTER FILM CAPACITOR
◇	POLYSTYRENE FILM CAPACITOR
◎	MICA CAPACITOR
◊	POLYPROPYLENE FILM CAPACITOR
■	SEMICONDUCTIVE CERAMIC CAPACITOR
◇	POLYPROPYLENE SULFIDE FILM CAPACITOR

NOTICE (page 1)

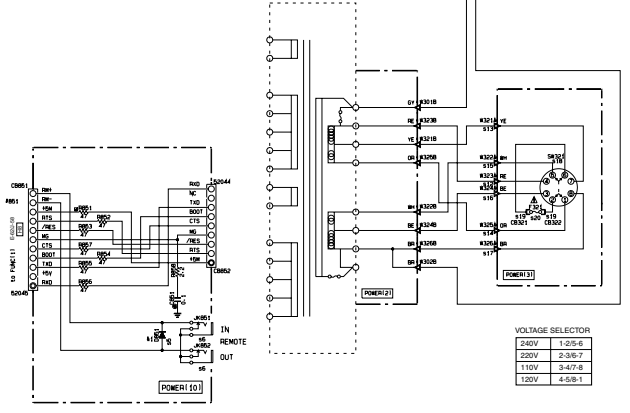
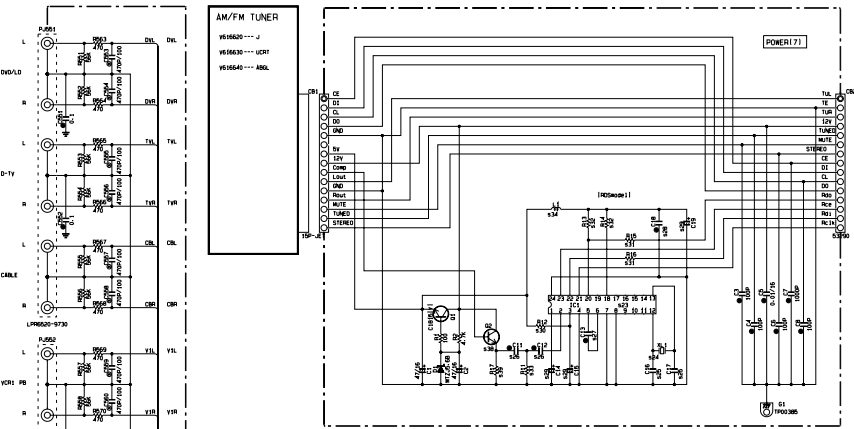
(J)..... JAPANESE
 (U)..... U. S. A
 (C)..... CANADIAN
 (R)..... GENERAL
 (A)..... AUSTRALIAN
 (B)..... BRITISH
 (G)..... EUROPEAN
 (T)..... CHINA
 (L)..... SINGAPORE

POWER RELAY



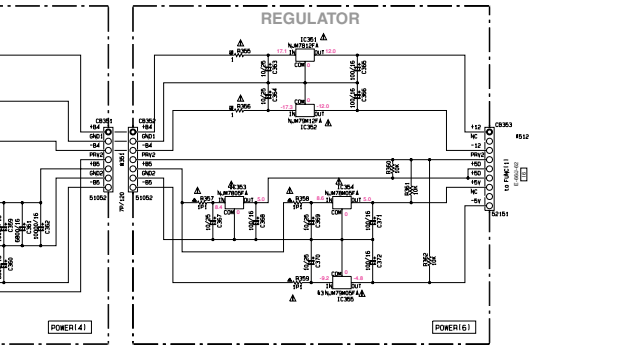
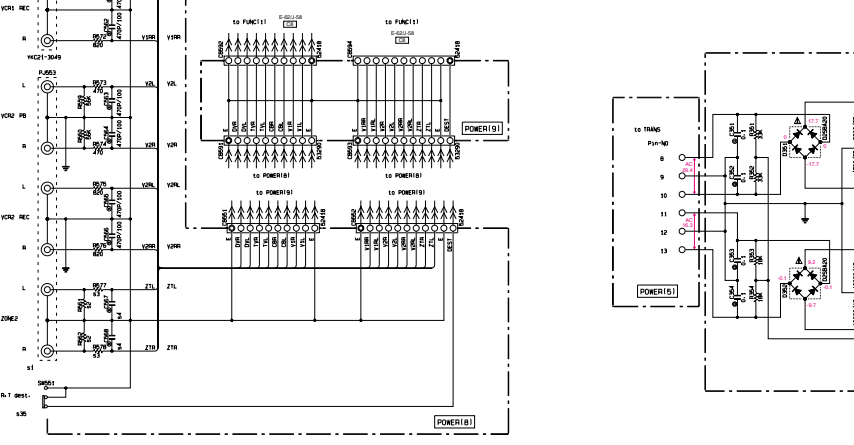
Interchangeable Parts at Manufacture-Shop

Parts Reference Parts Number	Parts Name
411 00X1-001	100130 100131 100132
412	100133
413	100134
414	100135
415	100136
416	100137

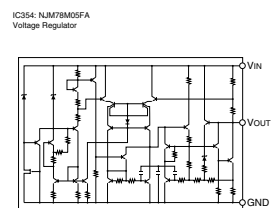
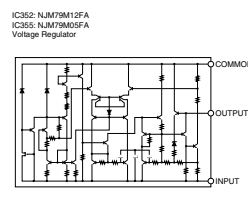
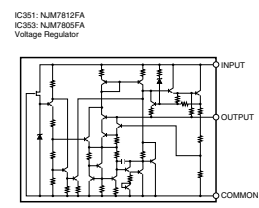
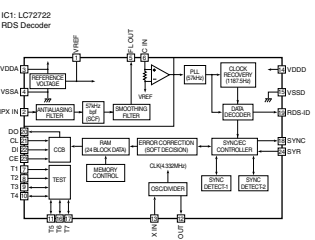


VOLTAGE SELECTOR

240V	1-2-5-6
220V	2-3-6-7
110V	3-4-7-8
120V	4-5-8-1



	J	U-C	B-T	A	B	G	L
01	PL653	Y49630	Y68780	Y49630	Y49630	Y49630	Y49630
02	RM1-562	X	56K	40	40	X	X
03	0071-676	X	470	470	X	X	X
04	0061-566	X	4700100	4700100	X	X	X
05	0061	X	Y003160	Y003160	X	X	X
06	J4661-052	X	VJ70880	VJ70880	X	X	X
07	1301	X2207	X2208	X2209	X2231	X2231	X2231
08	Y001	Y064310	Y064310	Y064310	Y064310	Y064310	Y064310
09	J001	O	O	O	O	O	O
10	0030-303	X	X	X	X	W00060	W00060
11	F301	X	X	X	X	Y184290	Y184290
112	R323	X	X	W04005	X	X	X
113	R321	X	X	W04005	X	X	X
114	R325	X	X	W04005	X	X	X
115	R322	X	X	W04005	X	X	X
116	R324	X	X	W04005	X	X	X
117	R326	X	X	W04005	X	X	X
118	00301	X	X	V06180	X	X	X
119	00301-302	X	X	W00000	X	X	X
120	F301	X	X	TAL200V	X	X	X
021	F302	8A120V	8A120V	8A120V	TAL200V	TAL200V	TAL200V
022	R302	Y184230	Y184230	Y184230	W000770	W000770	W000770
023	IC1	X	X	X	X	X	X
024	RL1	X	X	X	X	X	X
025	C06-17	X	X	X	X	270CF	270CF
026	IC11-12	X	X	X	X	W47610	W47610
027	IC13	X	X	X	X	330P	330P
028	IC8	X	X	X	X	W02780	W02780
029	IC4-10-19	X	X	X	X	800P	800P
030	R12	X	X	X	X	100	100
031	R05-16	X	X	X	X	470	470
032	R13-14	X	X	X	X	10K	10K
033	R11	X	X	X	X	W48710	W48710
034	L1	X	X	X	X	200W	200W
035	SM01	X	X	X	X	W15410	W15410
036	CS01-303	X	X	X	X	X	X
037	CS02	0-61/100	0-61/100	0-61/100	0-61/100	0-61/100	0-61/100
038	02	X	X	X	X	1.50W	1.50W
039	R17	X	X	X	X	3-3K	3-3K




* All voltage are measured with a 10M Ω /V DC electric volt meter.
 * Components having special characteristics are marked †, and must be replaced with parts having specifications equal to those originally installed.
 * Schematic diagram is subject to change without notice.

● 電圧は、内部抵抗10MΩの電圧計で測定したものです。
 ● †印のある部品は、安全性確保部品を示しています。部品の交換が必要な場合、パーツリストに記載されている部品を使用してください。
 ● 本回路図は標準回路図です。改良のため予告なく変更することがございます。

PARTS LIST

■ ELECTRICAL PARTS

■ WARNING

Components having special characteristics are marked  and must be replaced with parts having specifications equal to those originally installed.

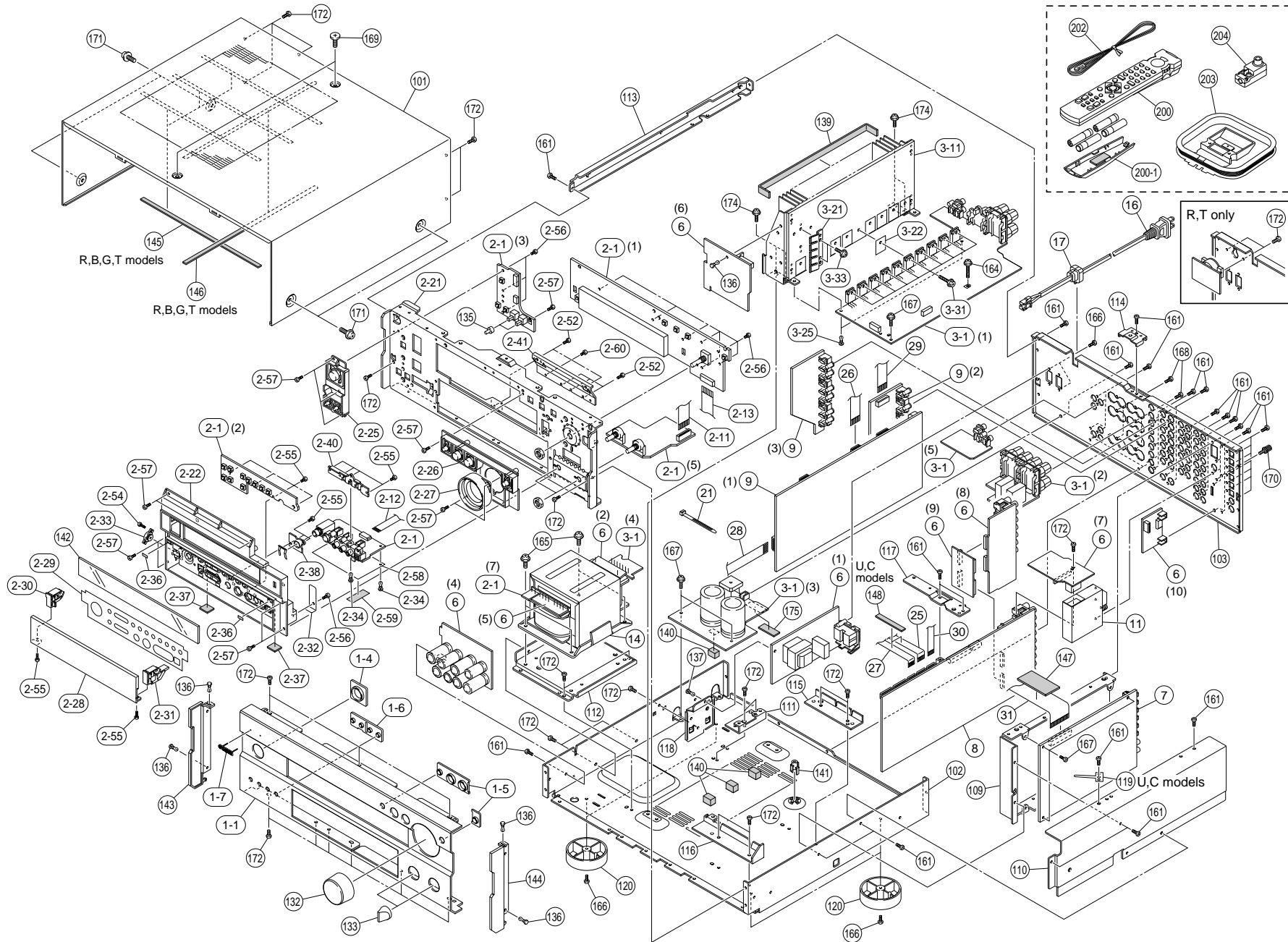
- Carbon resistors (1/6W or 1/4W) are not included in the ELECTRICAL PARTS List. For the parts No. of the carbon resistors, refer to last page.

ABBREVIATIONS IN THIS LIST ARE AS FOLLOWS:

C.A.EL.CHP	: CHIP ALUMI.ELECTROLYTIC CAP	L.EMIT	: LIGHT EMITTING MODULE
C.CE	: CERAMIC CAP	LED.DSPLY	: LED DISPLAY
C.CE.ARRAY	: CERAMIC CAP ARRAY	LED.INFRD	: LED,INFRARED
C.CE.CHP	: CHIP CERAMIC CAP	MODUL.RF	: MODULATOR,RF
C.CE.ML	: MULTILAYER CERAMIC CAP	PHOT.CPL	: PHOTO COUPLER
C.CE.M.CHP	: CHIP MULTILAYER CERAMIC CAP	PHOT.INTR	: PHOTO INTERRUPTER
C.CE.SAFETY	: RECOGNIZED CERAMIC CAP	PHOT.RFLCT	: PHOTO REFLECTOR
C.CE.TUBLR	: CERAMIC TUBULAR CAP	PIN.TEST	: PIN,TEST POINT
C.CE.SMI	: SEMI CONDUCTIVE CERAMIC CAP	PLST.RIVET	: PLASTIC RIVET
C.EL	: ELECTROLYTIC CAP	R.ARRAY	: RESISTOR ARRAY
C.MICA	: MICA CAP	R.CAR.	: CARBON RESISTOR
C.ML.FLM	: MULTILAYER FILM CAP	R.CAR.CHP	: CHIPRESISTOR
C.MP	: METALLIZED PAPER CAP	R.CAR.FP	: FLAME PROOF CARBON RESISTOR
C.MYLAR	: MYLAR FILM CAP	R.FUS	: FUSABLE RESISTOR
C.MYLAR.ML	: MULTILAYER MYLAR FILM CAP	R.MTL.CHP	: CHIP METAL FILM RESISTOR
C.PAPER	: PAPER CAPACITOR	R.MTL.FLM	: METAL FILM RESISTOR
C.PLS	: POLYSTYRENE FILM CAP	R.MTL.OXD	: METAL OXIDE FILM RESISTOR
C.POL	: POLYESTER FILM CAP	R.MTL.PLAT	: METAL PLATE RESISTOR
C.POLY	: POLYETHYLENE FILM CAP	RSNR.CE	: CERAMIC RESONATOR
C.PP	: POLYPROPYLENE FILM CAP	RSNR.CRYS	: CRYSTAL RESONATOR
C.TNTL	: TANTALUM CAP	R.TW.CEM	: TWIN CEMENT FIXED RESISTOR
C.TNTL.CHP	: CHIP TANTALUM CAP	R.WW	: WIRE WOUND RESISTOR
C.TRIM	: TRIMMER CAP	SCR.BND,HD	: BIND HEAD B-TITE SCREW
CN	: CONNECTOR	SCR.BW,HD	: BW HEAD TAPPING SCREW
CN.BS.PIN	: CONNECTOR,BASE PIN	SCR.CUP	: CUP TITE SCREW
CN.CANNON	: CONNECTOR,CANNON	SCR.TERM	: SCREW TERMINAL
CN.DIN	: CONNECTOR,DIN	SCR.TR	: SCREW,TRANSISTOR
CN.FLAT	: CONNECTOR,FLAT CABLE	SUPRT.PCB	: SUPPORT,P.C.B.
CN.POST	: CONNECTOR,BASE POST	SURG.PRTCT	: SURGE PROTECTOR
COIL.MX,AM	: COIL,AM MIX	SW.TACT	: TACT SWITCH
COIL.LAT.FM	: COIL,FM ANTENNA	SW.LEAF	: LEAF SWITCH
COIL.DT.FM	: COIL,FM DETECT	SW.LEVER	: LEVER SWITCH
COIL.MX.FM	: COIL,FM MIX	SW.MICRO	: MICRO SWITCH
COIL.OUTPT	: OUTPUT COIL	SW.PUSH	: PUSH SWITCH
DIOD.ARRAY	: DIODE ARRAY	SW.RT.ENG	: ROTARY ENCODER
DIODE.BRG	: DIODE BRIDGE	SW.RT.MTR	: ROTARY SWITCH WITH MOTOR
DIODE.CHP	: CHIP DIODE	SW.RT	: ROTARY SWITCH
DIODE.VAR	: VARACTOR DIODE	SW.SLIDE	: SLIDE SWITCH
DIOD.Z.CHP	: CHIP ZENER DIODE	TERM.SP	: SPEAKER TERMINAL
DIODE.ZENR	: ZENER DIODE	TERM.WRAP	: WRAPPING TERMINAL
DSCR.CE	: CERAMIC DISCRIMINATOR	THRMST.CHP	: CHIP THERMISTOR
FER.BEAD	: FERRITE BEADS	TR.CHP	: CHIP TRANSISTOR
FER.CORE	: FERRITE CORE	TR.DGT	: DIGITAL TRANSISTOR
FET.CHP	: CHIP FET	TR.DGT.CHP	: CHIP DIGITAL TRANSISTOR
FL.DSPLY	: FLUORESCENT DISPLAY	TRANS	: TRANSFORMER
FLTR.CE	: CERAMIC FILTER	TRANS.PULS	: PULSE TRANSFORMER
FLTR.COMB	: COMB FILTER MODULE	TRANS.PWR	: POWER TRANSFORMER ASS'Y
FLTR.LC,RF	: LC FILTER,EMI	TUNER,AM	: TUNER PACK,AM
GND.MTL	: GROUND PLATE	TUNER.FM	: TUNER PACK,FM
GND.TERM	: GROUND TERMINAL	TUNER.PK	: FRONT-ENDTUNER PACK
HOLDER.FUS	: FUSE HOLDER	VR	: ROTARY POTENTIOMETER
IC.PRTCT	: IC PROTECTOR	VR.MTR	: POTENTIOMETER WITH MOTOR
JUMPER.CN	: JUMPER CONNECTOR	VR.SW	: POTENTIOMETER WITH ROTARY SW
JUMPER.TST	: JUMPER,TEST POINT	VR.SLIDE	: SLIDE POTENTIOMETER
L.DTCT	: LIGHT DETECTING MODULE	VR.TRIM	: TRIMMER POTENTIOMETER

Note) Those parts marked with “#” are not included in the P.C.B. ass'y.

1 ■ EXPLODED VIEW



R,B,G,T models

R,B,G,T models

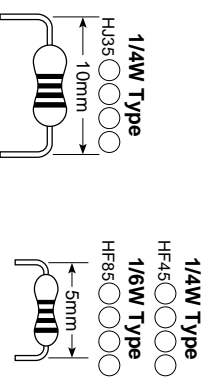
R,T only

U,C models

U,C models

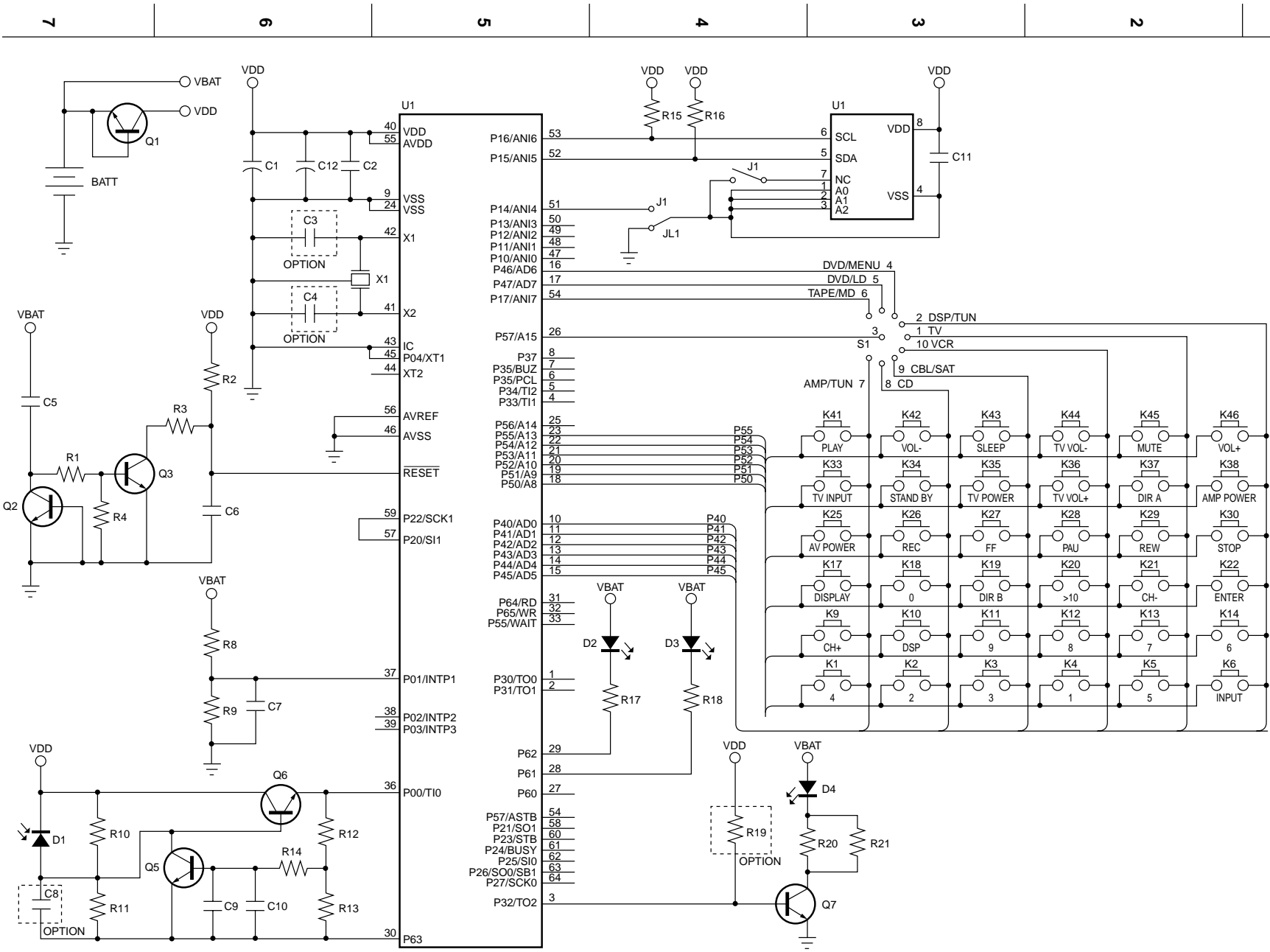
Parts List for Carbon Resistors

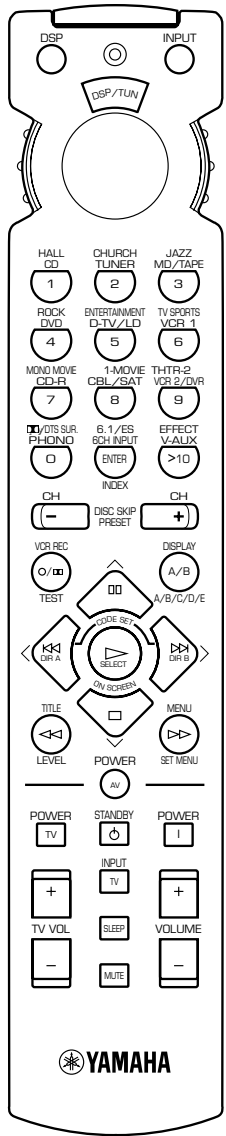
Value	1/4W Type Part No.	1/6W Type Part No.	Value	1/4W Type Part No.	1/6W Type Part No.
1.0	HJ35 3100	HF85 3100	10 k	HF45 7100	HF45 7100
1.8	HJ35 3180	*	11 k	HF45 7110	HF45 7110
2.2	HJ35 3220	HF85 3220	12 k	HJ35 7120	HF85 7120
3.3	HJ35 3330	HF85 3330	13 k	HF45 7130	HF45 7130
4.7	HJ35 3470	HF85 3470	15 k	HF45 7150	HF45 7150
5.6	HJ35 3560	HF85 3560	18 k	HF45 7180	HF45 7180
10	HF45 4100	HF45 4100	22 k	HF45 7220	HF45 7220
15	HJ35 4150	HF85 4150	24 k	HF45 7240	HF45 7240
22	HF45 4220	HF45 4220	27 k	HJ35 7270	HF85 7270
27	HJ35 4270	HF85 4270	30 k	HF45 7300	HF45 7300
33	HF45 4330	HF45 4330	33 k	HF45 7330	HF45 7330
39	HJ35 4470	HF85 4390	36 k	HF45 7360	HF45 7360
47	HF45 4470	HF45 4470	39 k	HF45 7390	HF45 7390
56	HF45 4560	HF45 4560	47 k	HF45 7470	HF45 7470
68	HF45 4680	HF45 4680	51 k	HF45 7510	HF45 7510
75	HF45 4750	HF45 4750	56 k	HF45 7560	HF45 7560
82	HF45 4820	HF45 4820	62 k	HF45 7620	HF45 7620
91	HF45 4910	HF45 4910	68 k	HF45 7680	HF45 7680
100	HF45 5100	HF45 5100	82 k	HF45 7820	HF45 7820
110	HJ35 5110	HF85 5110	91 k	HF45 7910	HF45 7910
120	HF45 5120	HF45 5120	100 k	HF45 8100	HF45 8100
150	HF45 5150	HF45 5150	110 k	HF45 8110	HF45 8110
160	HJ35 5160	*	120 k	HF45 8120	HF45 8120
180	HF45 5180	HF45 5180	150 k	HF45 8150	HF45 8150
200	HF45 5200	HF45 5200	180 k	HF45 8180	HF45 8180
220	HF45 5220	HF45 5220	220 k	HJ35 8220	HF85 8220
270	HF45 5270	HF45 5270	270 k	HF45 8270	HF45 8270
330	HF45 5330	HF45 5330	300 k	HF45 8300	HF45 8300
390	HF45 5390	HF45 5390	330 k	HF45 8330	HF45 8330
430	HF45 5430	HF45 5430	390 k	HJ35 8390	HF85 8390
470	HF45 5470	HF45 5470	470 k	HF45 8470	HF45 8470
510	HF45 5510	HF45 5510	560 k	HJ35 8560	HF85 8560
560	HF45 5560	HF45 5560	680 k	HJ35 8680	HF85 8680
680	HF45 5680	HF45 5680	820 k	HJ35 8820	HF85 8820
820	HF45 5820	HF45 5820	1.0 M	HF45 9100	HF45 9100
910	HF45 5910	HF45 5910	1.2 M	HJ35 9120	*
1.0 k	HF45 6100	HF45 6100	1.5 M	HJ35 9150	HF85 9150
1.2 k	HF45 6120	HF45 6120	1.8 M	HJ35 9180	HF85 9180
1.5 k	HF45 6150	HF45 6150	2.2 M	HJ35 9220	HF85 9220
1.8 k	HF45 6180	HF45 6180	3.3 M	HJ35 9330	HF85 9330
2.0 k	HJ35 6200	HF85 6200	3.9 M	HJ35 9390	*
2.2 k	HF45 6220	HF45 6220	4.7 M	HJ35 9470	HF85 9470
2.4 k	HJ35 6240	HF85 6240			
2.7 k	HF45 6270	HF45 6270			
3.0 k	HF45 6300	HF45 6300			
3.3 k	HF45 6330	HF45 6330			
3.6 k	HJ35 6360	HF85 6360			
3.9 k	HF45 6390	HF45 6390			
4.7 k	HF45 6470	HF45 6470			
5.1 k	HF45 6510	HF45 6510			
5.6 k	HF45 6560	HF45 6560			
6.8 k	HF45 6680	HF45 6680			
8.2 k	HF45 6820	HF45 6820			
9.1 k	HF45 6910	HF45 6910			



* : Not available

REMOTE CONTROL TRANSMITTER
SCHEMATIC DIAGRAM





Function Keychart

NO	TV	VCR	CABLE/SAT	CD	AMP/TUNER	TAPE/MD	DVD MENU	DVD/LD	DSP/TUNER		
1	Shift DSP PROGRAM										
2	Shift INPUT SELECT										
3	1	CH1	CH1	CH1	1	CD	1	1	HALL	P1	
4	2	CH2	CH2	CH2	2	TUNER	2	2	CHURCH	P2	
5	3	CH3	CH3	CH3	3	MD/TAPE	3	3	JAZZ	P3	
6	4	CH4	CH4	CH4	4	DVD	4	4	ROCK	P4	
7	5	CH5	CH5	CH5	5	D-TV/LD	5	5	ENTERTAINMENT	P5	
8	6	CH6	CH6	CH6	6	VCR1	6	6	TV SPORTS	P6	
9	7	CH7	CH7	CH7	7	CD-R	7	7	MONO MOVIE	P7	
10	8	CH8	CH8	CH8	8	CBL/SAT	8	8	MOVIE THTR1	P8	
11	9	CH9	CH9	CH9	9	VCR2/DVR	9	9	MOVIE THTR2	-	
12	0	CH0	CH0	CH0	0	PHONO	0	0	DD/dfs SUR	-	
13	ENTER	CH Enter/Recall	CH Enter/Recall	CH Enter	INDEX	6CH INPUT	-	INDEX	INDEX	6.1/ES	
14	>10	J--	J--	J--	+10	V AUX	+10	+10	+10	EFFECT	
15	CH+	TV CH+	VCR CH+	CBL/SAT CH+	DISC+	PRESET+	-	DISC+	PRESET+	<-	
16	CH-	TV CH-	VCR CH-	CBL/SAT CH-	DISC-	PRESET-	-	DISC-	PRESET-	<-	
17	REC	VCR REC		-	-	TEST	REC/PAUSE	RETURN	-	TEST <-	
18	DISPLAY	DISPLAY	DISPLAY	DISPLAY/GUIDE	DISPLAY	A/B/C/D/E	DISPLAY/A-B	DISPLAY	DISPLAY	A/B/C/D/E <-	
19	PAUSE	VCR PAUSE		Up	PAUSE	Up	PAUSE	Up	PAUSE	Up <-	
20	SKIP-	-	-	Left	SKIP-	Left	SKIP-/DIR A	Left	SKIP/CHAP-	Left <-	
21	PLAY	VCR PLAY		Menu Select	PLAY	ON SCREEN	PLAY	Select	PLAY	ON SCREEN <-	
22	SKIP+	-	-	Right	SKIP+	Right	SKIP+/DIR B	Right	SKIP/CHAP+	Right <-	
23	STOP	VCR STOP		Down	STOP	Down	STOP	Down	STOP	Down <-	
24	REW	VCR REW		RECALL	REW	TIME/LEVEL	REW	TITLE	REW	TIME/LEVEL <-	
25	FF	VCR FF		MENU	FF	SET MENU	FF	MENU	FF	SET MENU <-	
26	AV POWER	VCR POWER		CBL/SAT POWER	CD POWER	-	TAPE/MD POWER	DVD/LD POWER		- <-	
27	TV POWER	TV POWER									
28	STANDBY	STANDBY(OFF)									
29	POWER	AMP POWER									
30	TV VOL+	TV VOL+									
31	TV VOL-	TV VOL-									
32	TV INPUT	TV INPUT									
33	SLEEP	TV SLEEP	SLEEP								
34	MUTE	TV MUTE	MUTE								
35	VOL+	VOL+									
36	VOL-	VOL-									
	Library	TV	VCR	CABLE/SAT SAT/SAT	CD	TUNER 0023	TAPE MD	(DVD)	DVD/LD LD	TUNER 0023	
	Change Device	x	x	AUX	x	x	x	AUX	x	x	
	Default	0101	0002	0006	0005(Yamaha)	0003(AMP)	0004(Yamaha)	0008(Yamaha)		0013(DSP)	

0023